

Xenon™
Sensor night light

Cat. No: 0 506 73



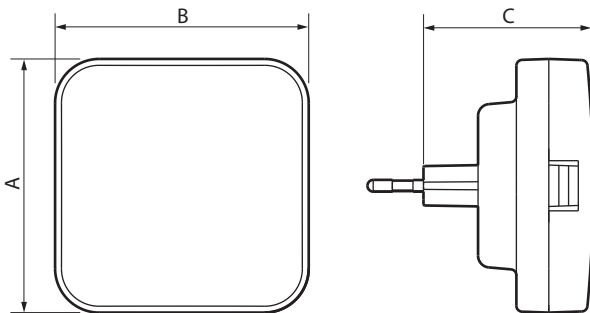
1. USE

Sensor night light for automatic lighting by brightness threshold.
 Delivered with four different design labels and paper label customizable.

2. RANGE

Cat. No	Description	Finishes
0 506 73	Night light LED with night sensor 230 V.	Transparent/Grey

3. OVERALL DIMENSIONS (mm)



A	B	C
86	86	57.5

4. TECHNICAL CHARACTERISTICS

■ **4.1 Mechanical characteristics**

Impact tests: IK 04
 Protection against solid objects and liquids: IP 20

■ **4.2 Material characteristics**

Self-extinguishing:
 + 750° C / 30 s for insulating parts in place now live parts.
 + 650° C / 30 s for the other parts of insulating material.

■ **4.3 Electrical characteristics**

Voltage: 230 VAC
 Power: 0.4 W
 Lighting level: 1 lm
 Night sensor level: 5-8 lux
 LED technology

■ **4.4 Climatic characteristics**

Use temperature: - 5° C to + 35° C
 Storage temperature: - 15° C to + 70° C

5. CLEANING

Surface cleaning with a cloth.
 Do not use: acetone, tar remover, trichloroethylene.

Caution: A preliminary test should be carried out if other specific cleaning products are to be used.