

DATA SHEET

RCCB, RESIDUAL CURRENT CIRCUIT BREAKER, SERIES AMPARO, 10KA



SCHRACK-INFO

- Tripping indicator
- Lift and clamp terminals on both sides
- Terminal cross-section: 1-35mm<sup>2</sup>
- Type A undelayed: VDE-certificated

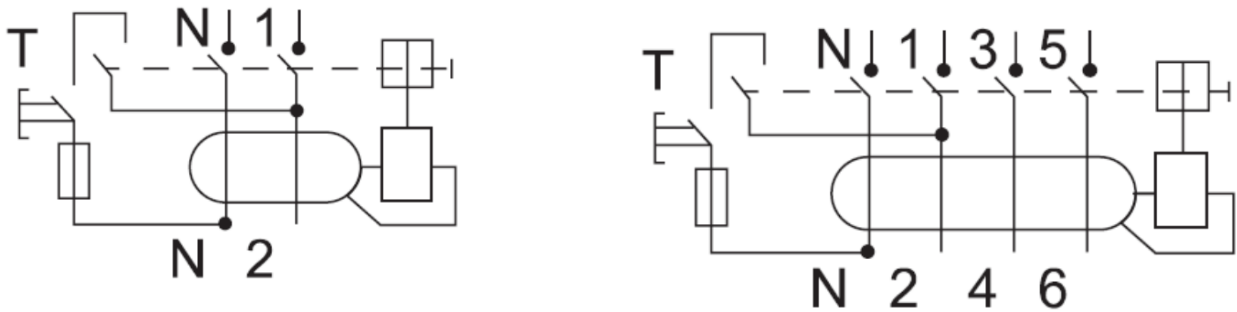
Technical data:

Standard	IEC/EN 61008-1
Poles:	2, 4
Type	AC,A
Delay-type	undelayed, G, S
Rated current I <sub>n</sub>	25A, 40A, 63A
Rated sensitivity I <sub>Δn</sub>	0,03A, 0,1A, 0,3A
Rated voltage U <sub>e</sub>	230/400V-AC
Insulation voltage U <sub>i</sub>	500V
Rated frequency (AC):	50/60Hz
Power supply:	on top or bottom
Rated impulse withstand voltage (1,2/50) U <sub>imp</sub>	6kV
Dielectric test voltage at ind. Freq. For 1 min.	2,5kV
Short-circuit current I <sub>nc</sub> = I <sub>Δc</sub>	10000A

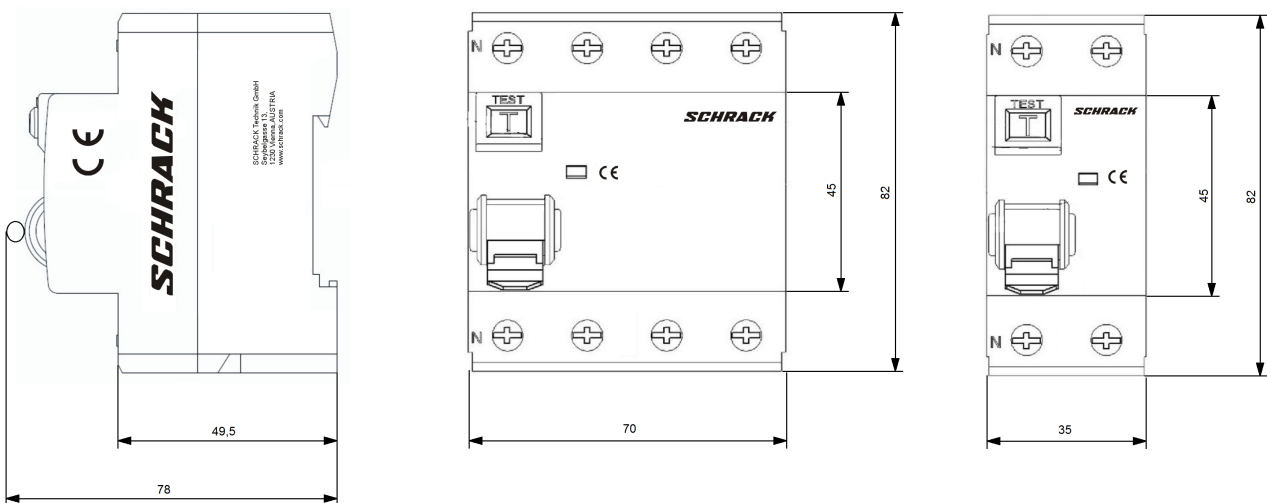
Max. back-up fuse as short circuit protection (SCPD):			
	25A	63A gG	
	40A	63A gG	
	63A	63A gG	
Max. back-up fuse as overload protection (OCPD):			
	25A	16A gG	
	40A	25A gG	
	40A back-up fuse proof	40A gG	
	63A	40A gG	
Rated residual making and breaking capacity			
	25A	500A	
	40A	500A	
	63A	630A	
Tripping time			
unde- layed	$I\Delta n$	$\leq 300\text{ms}$	
	$2 \times I\Delta n$	$\leq 150\text{ms}$	
	$\geq 5 \times I\Delta n$	$\leq 40\text{ms}$	
G	$I\Delta n$	$\geq 10\text{ms and } \leq 300\text{ms}$	
	$2 \times I\Delta n$	$\geq 10\text{ms and } \leq 150\text{ms}$	
	$\geq 5 \times I\Delta n$	$\geq 10\text{ms and } \leq 40\text{ms}$	
S	$I\Delta n$	$\geq 130\text{ms and } \leq 500\text{ms}$	
	$2 \times I\Delta n$	$\geq 60\text{ms and } \leq 200\text{ms}$	
	$5 \times I\Delta n$	$\geq 50\text{ms and } \leq 150\text{ms}$	
	$> 5 \times I\Delta n$	$\geq 40\text{ms and } \leq 150\text{ms}$	
No tripping residual current $I_{\Delta no}$		$\leq 0,5 I\Delta n$	
Lamp strength		commercially available, according to technical datas of electronic ballasts producer Max. 20 electronic ballasts per phase, max. 60 per RCCB	
Certificate		VDE for Typ A in 2 pole version	
Power loss	2 pole	25A	$\leq 7\text{W}$
		40A	$\leq 9,4\text{W}$
		63A	$\leq 14,3\text{W}$
	4 pole	25A	$\leq 13\text{W}$
		40A	$\leq 17\text{W}$
		63A	$\leq 22,5\text{W}$
Pollution degree		2	
Electrical endurance:		$> 2.000$ operating cycles	
Mechanical endurance:		$> 2.000$ operating cycles	
Fault current indicator		Yes	
Protection degree		IP 20	

Ambient temperature daily average $\leq 35^{\circ}\text{C}$	-25 °C to +40 °C
Operating temperature:	-25°C to +70°C
Terminal connection type	Cable/U-type busbar / Pin-type busbar
Connection	From top and bottom
Terminal cross-section:	1,5-25mm <sup>2</sup>
Terminal tightening torque:	2.5 Nm
Mounting:	on DIN rail EN 60715 (35mm)
	by means of fast clip device

**Wiring diagram:**



**Dimensions:**



**Articles:**

**RCCB AMPARO 10kA, 30mA, Type A**

Description	order no.
<b>2-pole</b>	
25A / 2 / 0,03A	AR052203--
40A / 2 / 0,03A	AR054203--
63A / 2 / 0,03A	AR056203--
<b>4-pole</b>	
25A / 4 / 0,03A	AR052103--
40A / 4 / 0,03A	AR054103--
63A / 4 / 0,03A	AR056103--

**RCCB AMPARO 10kA, 300mA, Type A**

Description	order no.
<b>2-pole</b>	
40A / 2 / 0,3A	AR054230--
<b>4-pole</b>	
40A / 4 / 0,3A	AR054130--
63A / 4 / 0,3A	AR056130--

**RCCB AMPARO 10kA, 30mA, Type AC**

Description	order no.
<b>2-pole</b>	
25A / 2 / 0,03A	AR002203--
40A / 2 / 0,03A	AR004203--
63A / 2 / 0,03A	AR006203--
<b>4-pole</b>	
25A / 4 / 0,03A	AR002103--
40A / 4 / 0,03A	AR004103--
63A / 4 / 0,03A	AR006103--

### RCCB AMPARO 10kA, 100mA, Type AC

Description	order no.
<b>2-pole</b>	
25A / 2 / 0,1A	AR002210--
40A / 2 / 0,1A	AR004210--
63A / 2 / 0,1 A	AR006210--
<b>4-pole</b>	
25A / 4 / 0,1A	AR002110--
40A / 4 / 0,1A	AR004110--
63A / 4 / 0,1A	AR006110--

### RCCB AMPARO 10kA, 300mA, Type AC

Description	order no.
<b>2-pole</b>	
25A / 2 / 0,3A	AR002230--
40A / 2 / 0,3A	AR004230--
63A / 2 / 0,3A	AR006230--
<b>4-pole</b>	
25A / 4 / 0,3A	AR002130--
40A / 4 / 0,3A	AR004130--
63A / 4 / 0,3A	AR006130--

### RCCB AMPARO 10kA, 30mA, Type AC/G

Description	order no.
<b>2-pole</b>	
40A / 2 / 0,03A	AR024203--
<b>4-pole</b>	
40A / 4 / 0,03A	AR024103--

RCCB AMPARO 10kA, 100mA, Type A/S

Description	order no.
<b>4-pole</b>	
40A / 4 / 0,3A	AR064110--
40A / 4 / 0,3A back-up fuse proof	AR064410--
63A / 4 / 0,3A	AR066110--

RCCB AMPARO 10kA, 300mA, Type A/S

Description	order no.
<b>2-pole</b>	
40A / 2 / 0,3A	AR064230--
63A / 2 / 0,3A	AR066230--
<b>4-pole</b>	
40A / 4 / 0,3A	AR064130--
63A / 4 / 0,3A	AR066130--