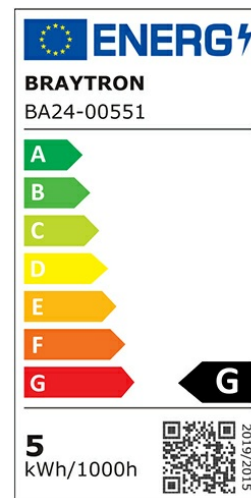
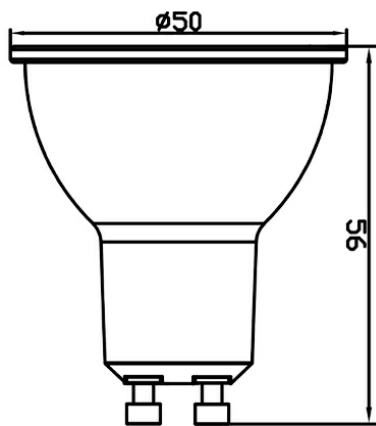


## PRODUCT DATASHEET

MODEL NO BA24-00551

DESCRIPTION BRY-ADVANCE-5W-GU10-110D-4000K-LED BULB



### General Characteristics

|              |   |                 |
|--------------|---|-----------------|
| Model No     | : | BA24-00551      |
| Main Family  | : | Bulbs & Tubes   |
| Sub Family   | : | GU10 Bulbs      |
| Type         | : | GU10            |
| Lamp Shape   | : | Non-Directional |
| Dimmable     | : | Not-Dimmable    |
| Light Source | : | LED             |
| Socket       | : | GU10            |
| Warranty     | : | 2 years         |
| Class        | : | Class II        |
| IP           | : | IP20            |

### Electrical Characteristics

|                         |   |            |
|-------------------------|---|------------|
| Lifetime (at 2.7 h/day) | : | 15000 h    |
| Voltage                 | : | 220-240V   |
| Power Factor            | : | >0,5       |
| Material                | : | PBT        |
| Working Temperature     | : | -20 C+40 C |
| Frequency               | : | 50-60 Hz   |
| Current                 | : | 43 mA      |

### Package Informations

|         |   |               |
|---------|---|---------------|
| N.W.    | : | 2,50 kgs      |
| G.W.    | : | 3,70 kgs      |
| PCS/CTN | : | 100 pcs       |
| Length  | : | 535 mm        |
| Width   | : | 280 mm        |
| Height  | : | 150 mm        |
| EAN     | : | 5949097704758 |

### Product Characteristics

|                             |   |               |
|-----------------------------|---|---------------|
| Wattage                     | : | 5 w           |
| Color Temperature           | : | 4000K         |
| Quse Lumen                  | : | 430 lm        |
| Color Rendering Index (CRI) | : | >80           |
| Energy Efficiency Level     | : | F             |
| Beam Angle                  | : | 110° Degrees  |
| Equivalent                  | : | 50 w          |
| Color Category              | : | Natural White |

### Dimensions & Weight

|           |   |       |
|-----------|---|-------|
| Diameter  | : | 50 mm |
| P. Height | : | 56 mm |
| Weight    | : | 25 gr |