

## DATA SHEET: BS900200



### GENERAL DATA

Heat deflection temp.:	VST/B/50 ISO306 = 82°C UL94 HB
Comparative tracking index:	300V
Regulations:	DIN VDE 0100-410/-540; VDE 0185-305
Assembly details:	Equipotential bonding rails with metal stand for equipotential bonding to DIN VDE 0100-410/-540 and lightning protection equipotential bonding to DIN VDE 0185-305

### CROSS SECTION

#### Conductor

Massive round connector: 1x 7-10mm (lightning protection)  
Earthing strip: up to 30x3,5mm

#### Cable

U – single wire:	2,5-16mm <sup>2</sup>
R – multi wire:	2,5-16mm <sup>2</sup>
K – fine wire (with sleeve):	2,5-10mm <sup>2</sup>
F – fine wire (with sleeve):	2,5-10mm <sup>2</sup>

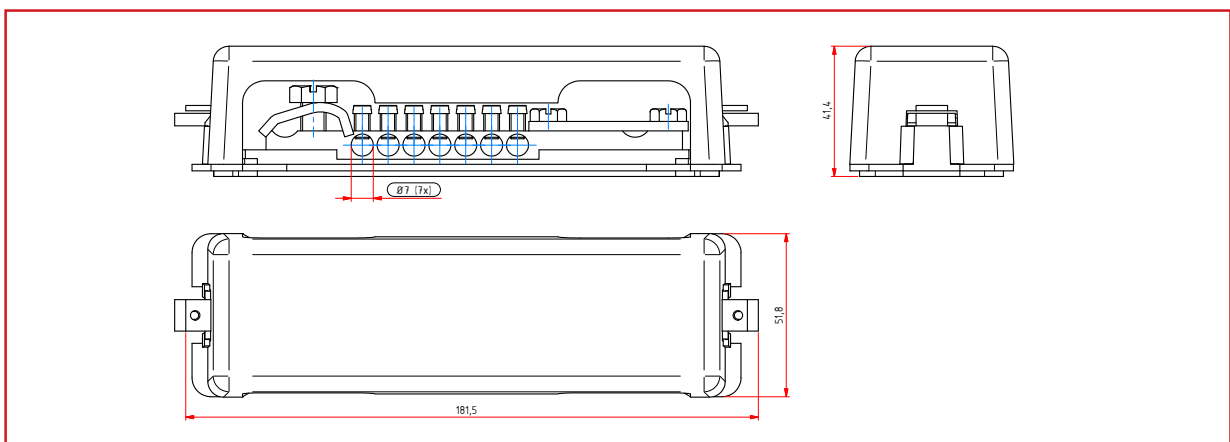
### TECHNICAL DATA

Clamping body:	Brass blank
Housing:	Polystyrol / grey / RAL 7035
Housing body:	Polystyrol / grey / RAL 7035
Screws:	Steel / Zn-plated

### ELECTRICAL DATA

Protection class:	IP20
Capable of carrying lightning current:	100kA (10/350)
Torque:	2,5 Nm

### DIMENSIONS



DESCRIPTION	ORDER NUMBER
Equipotential bonding rails with metal stand	BS900200