

■ NH (HRC) fuse loadbreak-disconnectors size 000 (100 A), for surface mounting, series ARROW II



ISA05011

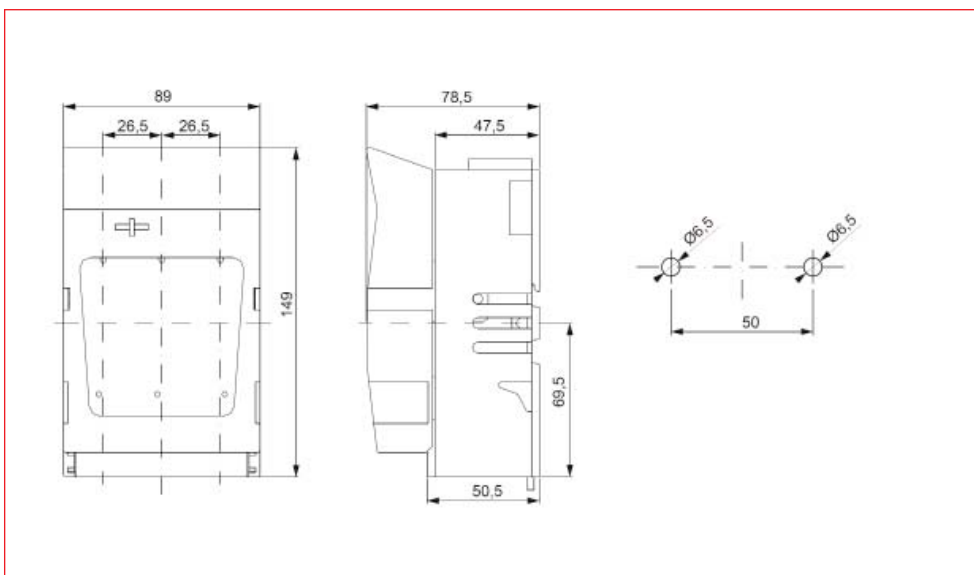
■ Schrack-Info

- NH-fuse loadbreak-disconnectors according IEC/EN 60947-3, VDE 0660/107
- For fixed installation
- Halogen-free, non-flammable plastics
- Degree of protection IP20, on front, closed device
- Degree of protection IP10, open front cover

■ Technical Data

Type	ISA05011
Size	NH000
Poles	3
Applicable for fuse-links	NH000
Type of installation	Baseplate mounting DIN-rail mounting
Switching mode	3pole switchable
Rated operating voltage	690V
Rated operating current	160A
Conv. free air thermal current with fuse-links	160A
Conv. free air thermal current with solid links	210A
Rated impulse voltage	8kV
Rated isolation voltage	800V
Rated frequency	40 - 60Hz
Total power loss at Ith (without fuse-link)	7W
Utilisation category	AC-21B (690V/100A) AC-22B (400V/160A) AC-22B (500V/100A) DC-22B (220V/100A)
Rated conditional short-circuit current	50kA (AC 500V)
Max. permissible power dissipation per fuse-link	9W
Ambient temperature	-25 up to +55°C
Ambient temperature	>35°C derating of rated current required
Type of Actuation	Dependent manual operation
Mounting position	vertical / horizontal
Pollution degree	3
Overvoltage category	III
Electrical endurance (switching cycles)	200
Mechanical endurance (switching cycles)	1400
Degree of protection	IP20
Cable terminal	Flat terminal M8

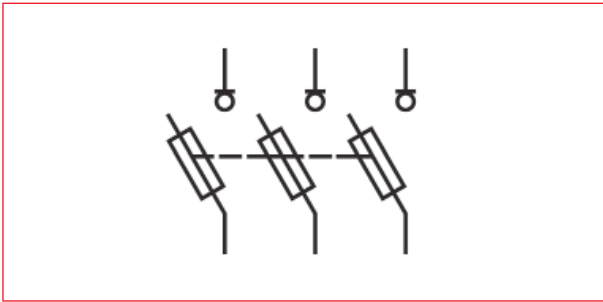
■ Dimensioned drawing



NH-fuse-material series ARROW

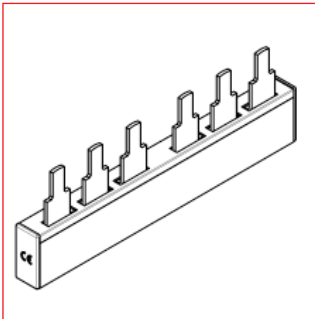
■ NH (HRC) fuse loadbreak-disconnectors size 000 (100 A), for surface mounting, series ARROW II

■ ISA05011 Wiring diagram

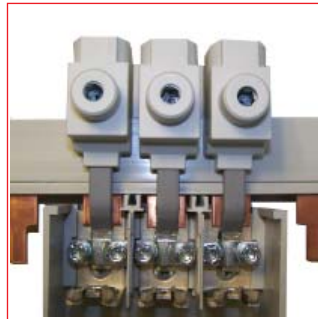


DESCRIPTION	AVAILABLE	ORDER NO.
Size C 00 with mounting clip for Din-rail		ISA05011
HRC-fuse-switch size C 00 with mounting clip for Din-rail		IS505011

■ Accessories for ARROW II, size 000



BS900192-A

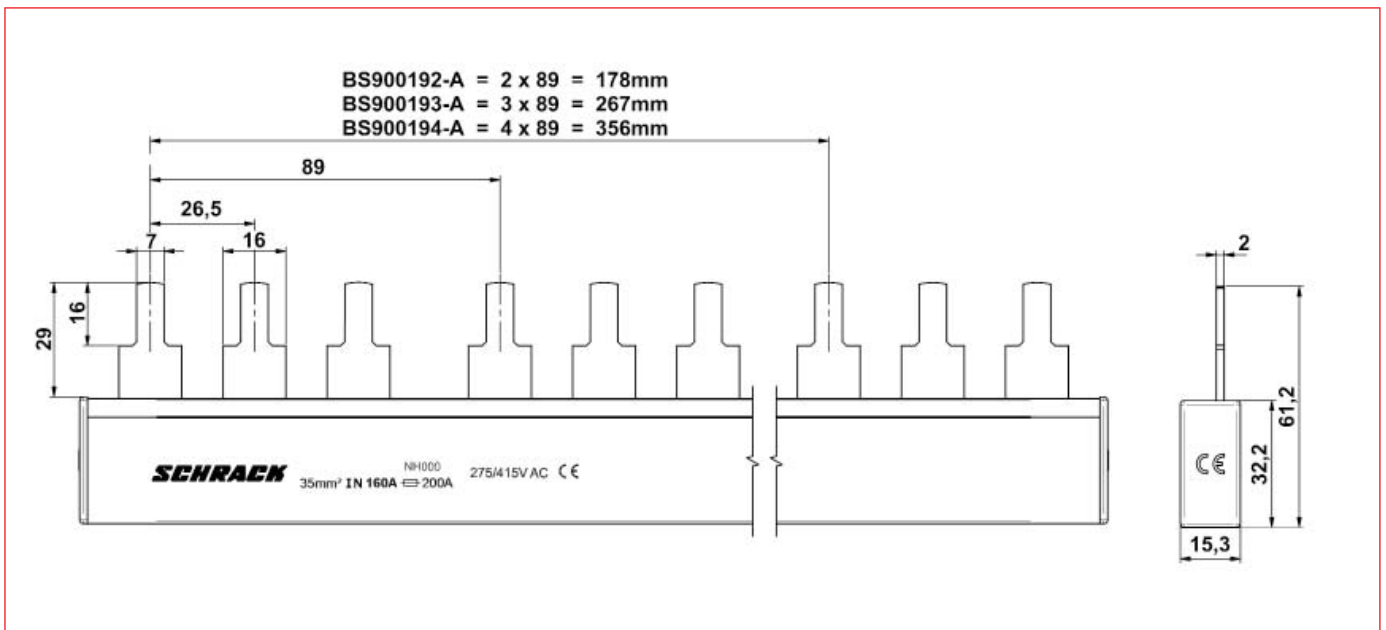


Mounting

■ Schrack-Info

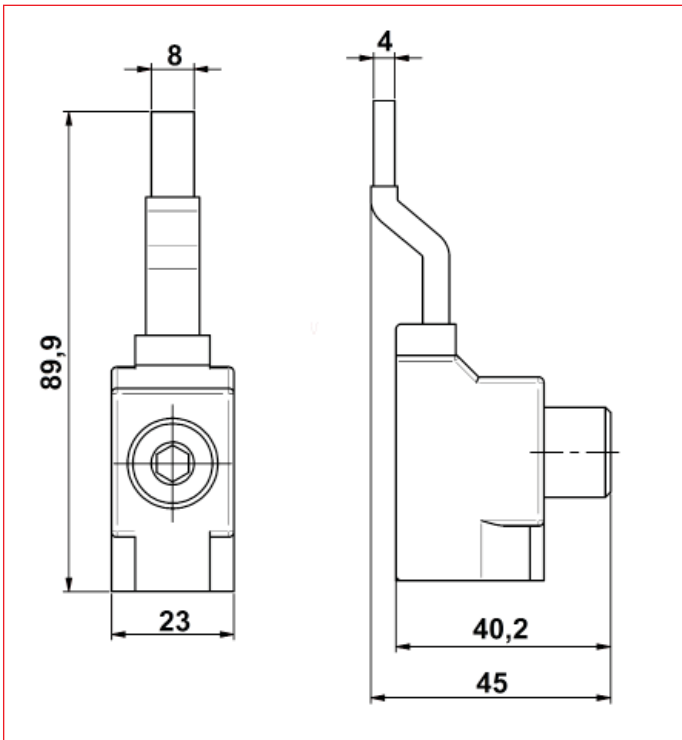
Busbars for comfortable and easy wiring of NH-fuse-loadbreak-disconnectors size 000 series ARROW II


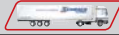
■ BS900192-A, BS900193-A, BS900194-A Dimensions



Accessories for ARROW II, size 000

BS900191-A Dimensions



DESCRIPTION	AVAILABLE	ORDER NO.
Busbar 2xC00 3P fuse switch		BS900192-A
Busbar 3xC00 3P fuse switch		BS900193-A
Busbar 4xC00 3P fuse switch		BS900194-A
Terminal 95mm ² for busbar C00		BS900191-A
Input-terminals for HRC-fuse-switch size C00 25-95mm ²		ISA05013







■ NH (HRC) fuse loadbreak-disconnectors size 1 (160 A), for surface mounting, series ARROW II



ISA05222

Size	NH00
Poles	1
Applicable for fuse-links	NH000 and NH00
Type of installation	Baseplate mounting
Switching mode	1, 3, or 4-pole switchable
Rated operating voltage	690V
Rated operating current	160A
Conv. free air thermal current with fuse-links	160A
Conv. free air thermal current with solid links	210A
Rated impulse voltage	8kV
Rated isolation voltage	800V
Rated frequency	40 - 60Hz
Utilisation category	AC-22B (500V/160A)
	AC-22B (690V/100A)
	DC-21B (440V/100A)
	DC-22B (220V/160A)
Rated conditional short-circuit current	50 (AC 500V)(kA)
Max. permissible power dissipation per fuse-link	12W
Ambient temperature	-25 up to +55°C
Ambient temperature	<35°C derating of rated current required
Type of Actuation	Dependent manual operation
Mounting position	vertical / horizontal
Altitude	2000m
Pollution degree	3
Overvoltage category	III
Electrical endurance (switching cycles)	200
Mechanical endurance (switching cycles)	1400
Degree of protection	IP20
Cable terminal	Flat terminal M8

DESCRIPTION	AVAILABLE	ORDER NO.
Size 00, 1-pole, 160A, M8		ISA05224
Size 00, 3-pole, 160A, clamp, with window lock		ISA05221F
Size 00, 3-pole, 160A, M8, with window lock		ISA05222F
Size 00, 4-pole, 160A, M8		ISA05225
Single clamp strap size 00		ISA05300
Prism clamp 1,5-70mm ² for size 00		ISA05335
DIN rail fixing parts for ARROW BLOC size 00		ISA05194

■ NH (HRC) fuse loadbreak-disconnectors size 00 (160 A), for surface mounting, series ARROW BLUE



ISA05221-A

■ Schrack-Info

- Integrated in-fringe-protection side and top
- Contactless fuse take out
- Closing part sealable and lockable
- Park position for closing part
- Patented voltage measuring slots, tool-bound open, without tools close

Standard	IEC/DIN/EN 60947-3 / VDE 0660-107
For LV HRC fuse-links acc. to DIN VDE 0636-2	Size 000/00
Rated operational voltage U_n	690VAC / 440V-DC
Rated operational current ¹⁾ I_n	160 A
Conv. free air thermal current with fuse-links ¹⁾ I_{th}	160 A
Conv. free air thermal current with solid-links ¹⁾ I_{th}	210 A
Rated frequency f	40 - 60 Hz
Rated insulation voltage U_i	800 V - AC
Total power loss at Ith (without fuse-links) P_v	9 W
Rated impulse withstand voltage U_{imp}	8 kV
Utilisation category ²⁾	AC-23B (400V/160A) ^{2a)}
	AC-22B (500V/160A) ^{2a)}
	AC-21B (690V/160A) ^{2a)}
	DC-22B (250V/160A) ^{2a)}
	DC-21B (440V/160A) ^{2a)}
Rated conditional short-circuit current ^{2) 3)}	120 kA (500V) ^{2a)}
	100 (690V) ^{2a)}
Rated short-time withstand current I_{cw}	7 kA (1s)
Max. permis. power loss per fuse-link P_n	12 W
Degree of protection, front side	Operating condition IP20
	With clamp- and lateral cover IP20XC
	switching element open IP10
Ambient temperature ⁴⁾ T_{amb}	-25 up to +55 °C
Rated operating mode	Uninterrupted duty
Actuation	dependent manual operation
Mounting position	vertical / horizontal
Altitude	up to 2000 m
Pollution degree	3
Overvoltage category	III
Cable terminal	Flat terminal, Bolt diameter M8
	Tightening torque 12-15Nm
Clip terminal, Clamping cross-section	conductor round 1,5 - 70 mm ² copper
	busbar 6 x 9 x 0,8
	Tightening torque 2,6Nm

¹⁾ In case of mounting of several units in low voltage switch-gear-combinations, please consider rated diversity factors acc. to EN 61439-1.

²⁾ It must be considered a minimum distance to earthed, conductive parts:

^{2a)} Lateral: 20mm / Above: 50mm / Behind: 0mm

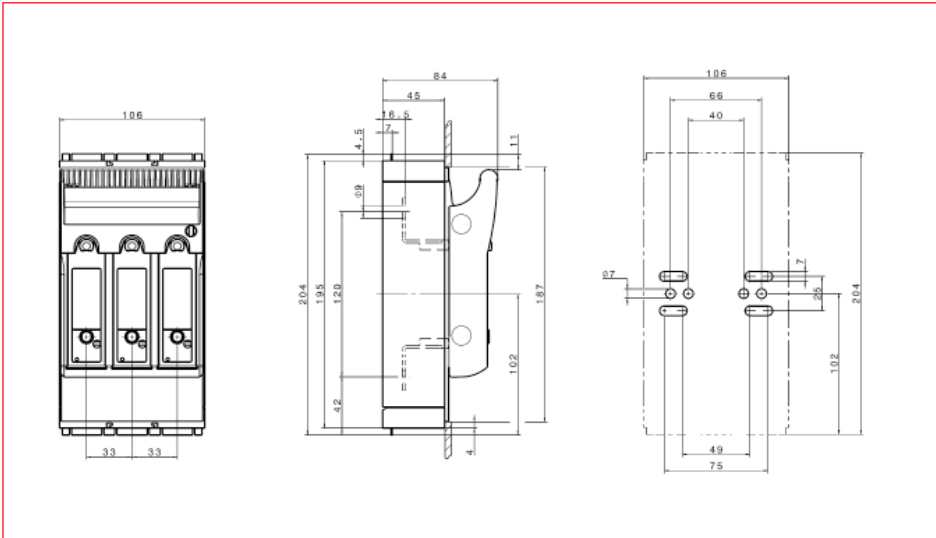
³⁾ Type tested with LV-HRC-fuse-links characteristic gG.

⁴⁾ 35°C Normal temperature, at 55°C with reduced operating current

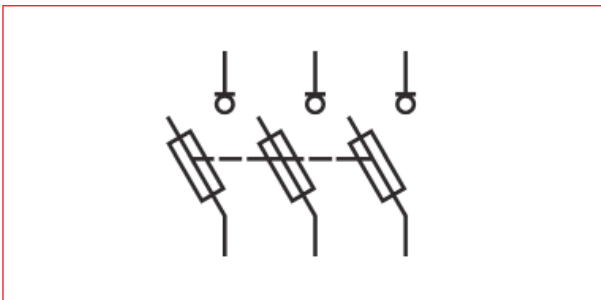
NH-fuse-material series ARROW

■ NH (HRC) fuse loadbreak-disconnectors size 00 (160 A), for surface mounting, series ARROW BLUE

■ Dimensions

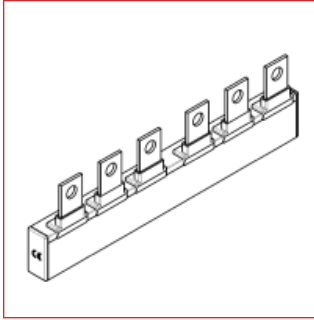


■ ISA05221-A, ISA05222-A



DESCRIPTION	AVAILABLE	ORDER NO.
Size 00, 3-pole, 160A, M8		ISA05222-A
Size 00, 3-pole, 160A, clamp		ISA05221-A
Single clamp strap size 00		ISA05300
Prism clamp 1,5-70mm ² for size 00		ISA05335

Busbars for ARROW BLUE, size 00

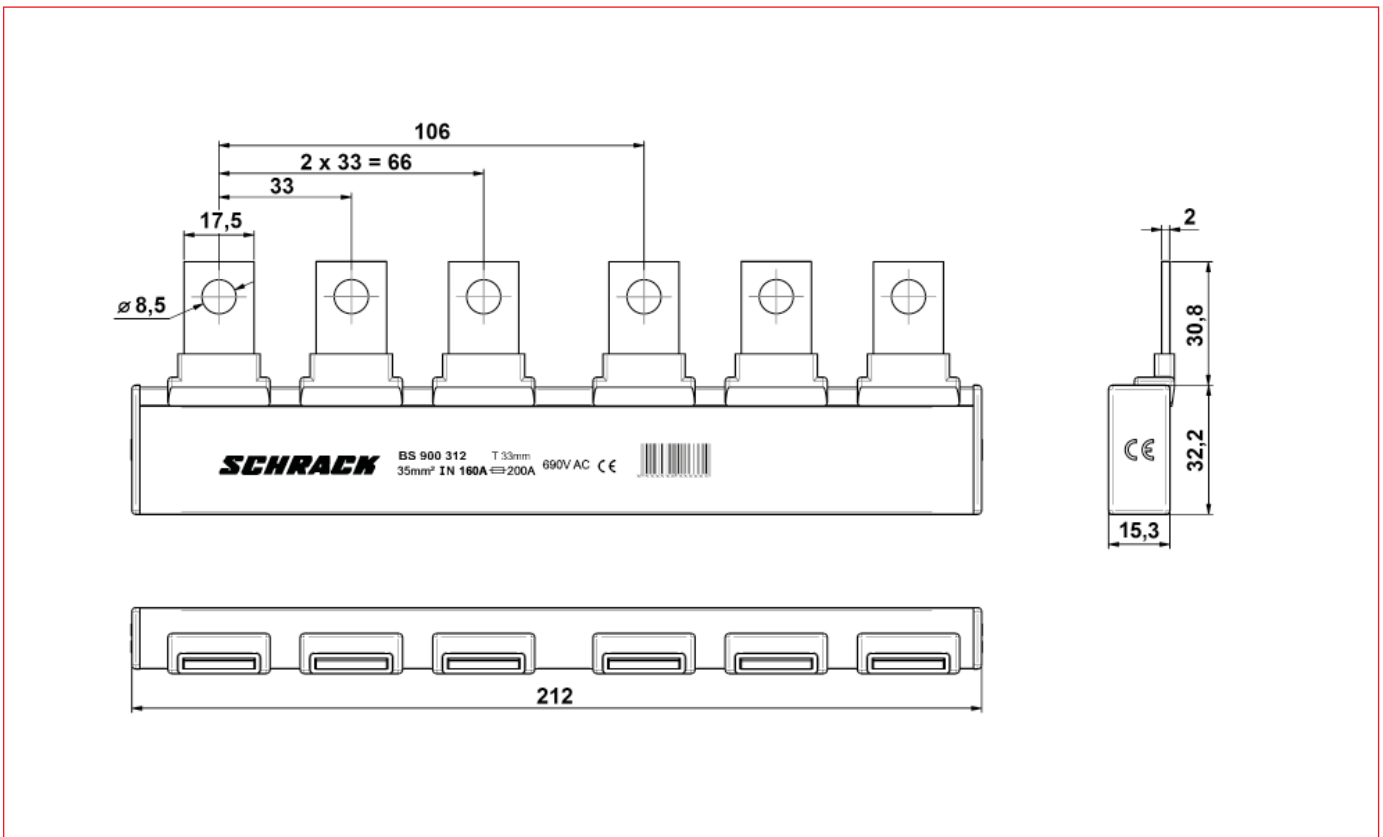


BS900312

Schrack-Info

Busbars for comfortable and easy wiring of NH-fuse-loadbreak-disconnectors size 00 series ARROW BLUE

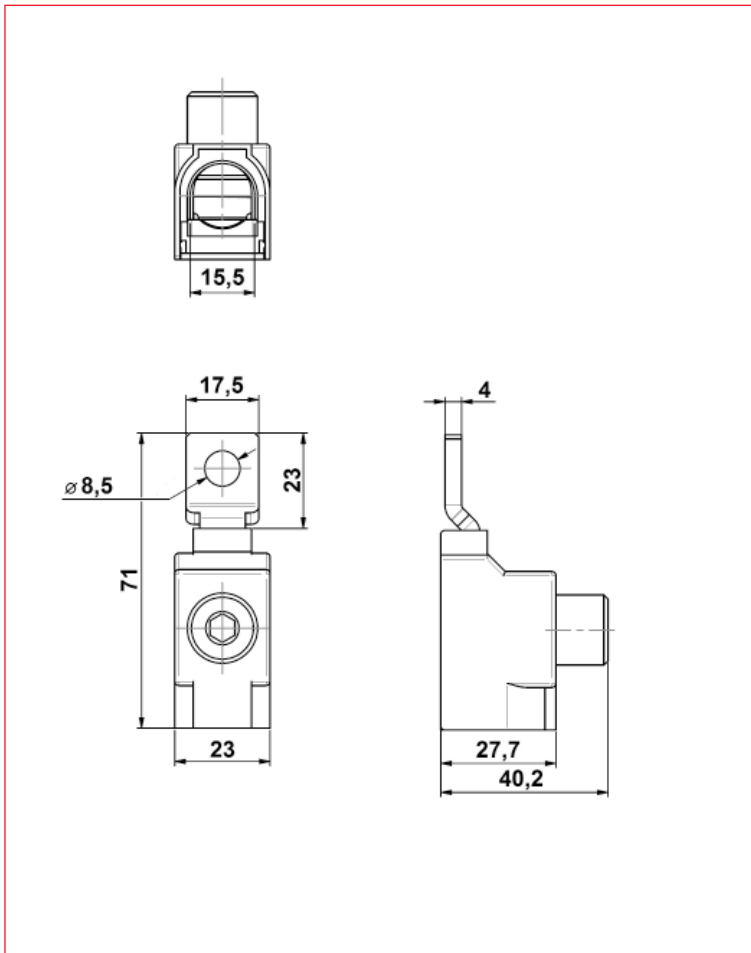
Dimensions




NH-fuse-material series ARROW

Busbars for ARROW BLUE, size 00

Dimensions



DESCRIPTION	AVAILABLE	ORDER NO.
Busbar 2x00 3P fuse switch		BS900312
Busbar 3x00 3P fuse switch		BS900313
Busbar 4x00 3P fuse switch		BS900314
Terminal 95mm ² for busbar 00		BS900311

■ NH (HRC) fuse loadbreak-disconnectors size 1 (250 A), for surface mounting, series ARROW II





ISA05226

■ Schrack-Info

- NH-fuse loadbreak-disconnectors according IEC/EN 60947-3, VDE 0660/107
- For fixed installation
- Halogen-free, non-flammable plastics
- Degree of protection IP20, on front, closed device
- Degree of protection IP10, open front cover

■ Technical data

Size	NH1
Poles	1-, 3- or 4-pole
Applicable for fuse-links	NH1
Type of installation	Baseplate mounting
Switching mode	3pole switchable
Rated operating voltage	690V
Rated operating current	250A
Conv. free air thermal current with fuse-links	250A
Conv. free air thermal current with solid links	325A
Rated impulse voltage	8kV
Rated isolation voltage	800V
Rated frequency	40 - 60Hz
Total power loss at Ith (without fuse-link)	13W
Utilisation category	AC-22B (500V/250A)
	AC-22B (690V/200A)
	DC-21B (440V/200A)
	DC-22B (220V/250A)
Rated conditional short-circuit current	50 (AC 500V)(kA)
Max. permissible power dissipation per fuse-link	23(W)
Ambient temperature	-25 up to +55°C
	(>35°C derating of rated current required)
Type of Actuation	Dependent manual operation
Mounting position	vertical / horizontal
Altitude	2000m
Pollution degree	3
Overvoltage category	III
Electrical endurance (switching cycles)	200
Mechanical endurance (switching cycles)	1400
Degree of protection	IP20
Cable terminal	Flat terminal M10
Tightening torque	30-35Nm

DESCRIPTION	AVAILABLE	ORDER NO.
Size 1, 1-pole, 250A, M10		ISA05227
Size 1, 3-pole, 250A, M10		ISA05226
Size 1, 4-pole, 250A, M10		ISA05229



■ NH (HRC) fuse loadbreak-disconnectors size 1 (250 A), for surface mounting, series ARROW BLUE



ISA05226-A

■ Schrack-Info

- Integrated infringe-protection side and top
- Contactless fuse take out
- Closing part sealable and lockable
- Park position for closing part
- Patented voltage measuring slots, tool-bound open, without tools close

Standard	IEC/DIN/EN 60947-3
For LV HRC fuse-links acc. to DIN VDE 0636-2	size 1
Rated operational voltage U_n	690VAC / 440 V DC
Rated operational current ¹⁾ I_n	250 A
Conv. free air thermal current with fuse-links 1) I_{th}	250 A
Rated frequency f	40 - 60 Hz
Rated insulation voltage U_i	800 V AC
Total power loss at I_{th} (without fuse-links) P_v	22 W
Rated impulse withstand voltage U_{imp}	8 kV
Utilisation category ²⁾	AC-23B (400V/250A) ^{2b)} AC-22B (500V/250A) ^{2b)} AC-21B (690V/250A) ^{2b)}
Rated conditional short-circuit current ^{2) 3)}	120 kA (500V) ^{2b)} 100 (690V) ^{2b)}
Rated short-time withstand current I_{sw}	10 kA (1s)
Max. permis. power loss per fuse-link P_a	23 W
Degree of protection, front side	Operating condition IP20 With clamp- and lateral cover IP20XC switching element open IP10
Ambient temperature ⁴⁾ T_{amb}	-25 up to +55 °C
Rated operating mode	Uninterrupted duty
Actuation	dependent manual operation
Mounting position	vertical / horizontal
Altitude	up to 2000 m
Pollution degree	3
Overvoltage category	III
Cable terminal	Flat terminal, Bolt diameter M10 Tightening torque 30-35Nm

¹⁾ In case of mounting of several units in low voltage switch-gear-combinations, please consider rated diversity factors acc. to EN 61439-1.

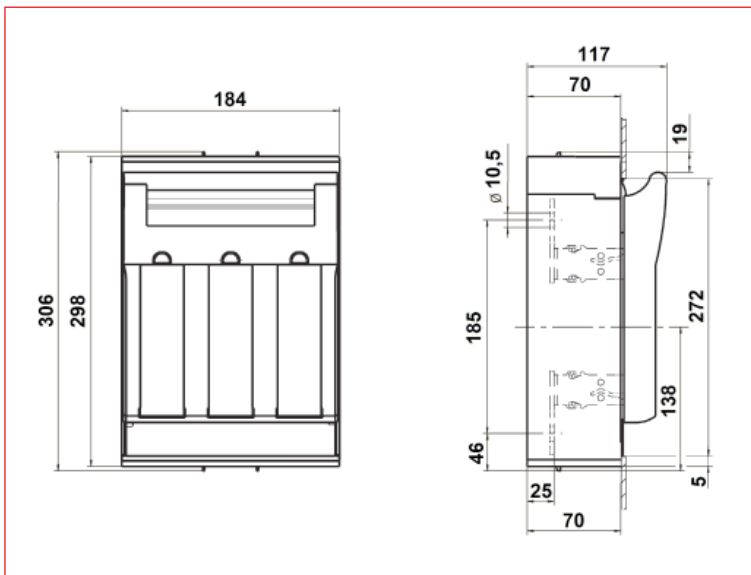
²⁾ ..It must be considered a minimum distance to earthed, conductive parts:

^{2b)} Lateral: 20mm / Above: 50mm

³⁾ Type tested with LV-HRC-fuse-links characteristic gG.

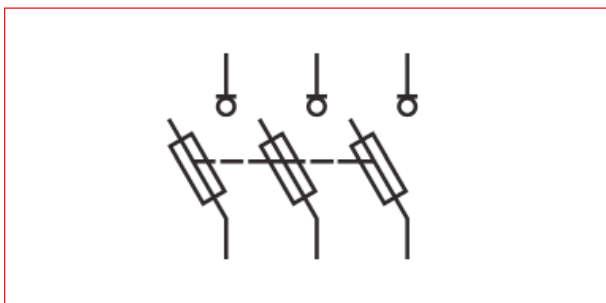
⁴⁾ 35 °C Normal temperature, at 55 °C with reduced operating current

■ Dimensions



■ NH (HRC) fuse loadbreak-disconnectors size 1 (250 A), for surface mounting, series ARROW BLUE

■ ISA05226 Wiring diagram



DESCRIPTION	AVAILABLE	ORDER NO.
Size 1, 3-pole, 250A, M10		ISA05226-A

■ NH (HRC) fuse loadbreak-disconnectors size 2 (400 A), for surface mounting, series ARROW II



ISA05250

Size	NH2
Poles	3
Applicable for fuse-links	NH2
Type of installation	Baseplate mounting
Switching mode	3pole switchable
Rated operating voltage	690V
Rated operating current	400A
Conv. free air thermal current with fuse-links	400A
Conv. free air thermal current with solid links	520A
Rated impulse voltage	8kV
Rated isolation voltage	800V
Rated frequency	40 - 60Hz
Total power loss at Ith (without fuse-link)	27W
Utilisation category	AC-22B (500V/400A) AC-22B (690V/315A) DC-21B (440V/315A) DC-22B (220V/400A)
Rated conditional short-circuit current	80 (AC 500V)(kA)
Max. permissible power dissipation per fuse-link	34W
Ambient temperature	-25 up to +55 °C >35 °C derating of rated current required
Type of Actuation	Dependent manual operation
Mounting position	vertical / horizontal
Altitude	2000m
Pollution degree	3
Overvoltage category	III
Electrical endurance (switching cycles)	200
Mechanical endurance (switching cycles)	800
Degree of protection	IP20
Cable terminal	Flat terminal M10
Cable lug (DIN 46 235)	1 x 25-240mm ²
Tightening torque	30-35Nm

DESCRIPTION	AVAILABLE	ORDER NO.
Size 2, 3-pole, 400A, M10		ISA05250



■ NH (HRC) fuse loadbreak-disconnectors size 2 (400 A), for surface mounting, series ARROW BLUE



ISA05250-A

■ Schrack-Info

- Integrated infringe-protection side and top
- Contactless fuse take out
- Closing part sealable and lockable
- Park position for closing part
- Patented voltage measuring slots, tool-bound open, without tools close

Standard	IEC/DIN/EN 60947-3
For LV HRC fuse-links acc. to DIN VDE 0636-2	size 2
Rated operational voltage U_n	690VAC / 440V-DC
Rated operational current I_n	400A
Conv. free air thermal current with fuse-links I_{th}	400A
Conv. free air thermal current with solid-links I_{th}	520A
Rated frequency f	40-60Hz
Rated insulation voltage U_i	800V-AC
Total power loss at I_{th} (without fuse-links) P_v	22W
Rated impulse withstand voltage U_{imp}	8kV
Utilisation category $^{2)}$	AC-23B (400V/400A) $^{2a)}$
	AC-22B (500V/400A) $^{2a)}$
	AC-21B (690V/400A) $^{2a)}$
Rated conditional short-circuit current $^{2) 3)}$	120 kA (500V) $^{2a)}$
	100 (690V) $^{2a)}$
Rated short-time withstand current I_{sw}	10kA(1s)
Max. permis. power loss per fuse-link P_a	34W
Degree of protection, front side	Operating condition IP20
	With clamp- and lateral cover IP20XC
	switching element open IP10
Ambient temperature $^{4)}$ T_{amb}	-25 up to +55 °C
Rated operating mode	Uninterrupted duty
Actuation	dependent manual operation
Mounting position	vertical / horizontal
Altitude	up to 2000 m
Pollution degree	3
Overtoltage category	III
Cable terminal	Flat terminal, Bolt diameter M10
	Tightening torque 30-35Nm

¹⁾ In case of mounting of several units in low voltage switch-gear-combinations, please consider rated diversity factors acc. to EN 61439-1.

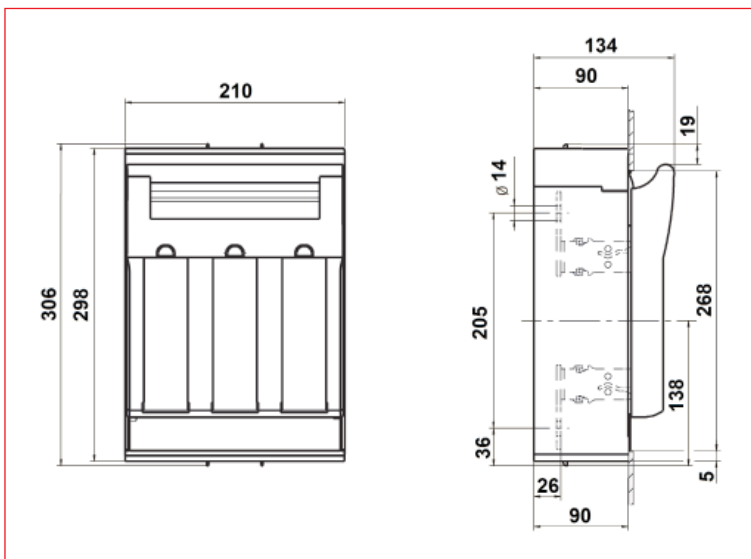
²⁾ ..It must be considered a minimum distance to earthed, conductive parts:

^{2a)} Lateral: 20mm / Above: 50mm / Behind: 0mm

³⁾ Type tested with LV-HRC-fuse-links characteristic gG.

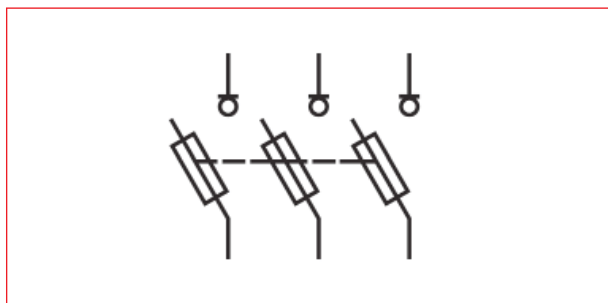
⁴⁾ 35°C Normal temperature, at 55°C with reduced operating current

■ Dimensions



■ NH (HRC) fuse loadbreak-disconnectors size 2 (400 A), for surface mounting, series ARROW BLUE

■ ISA05250 Wiring diagram



DESCRIPTION	AVAILABLE	ORDER NO.
Size 2, 3-pole, 400A, M10		ISA05250-A

■ NH (HRC) fuse loadbreak-disconnectors size 3 (630 A), for surface mounting, series ARROW II



ISA05295

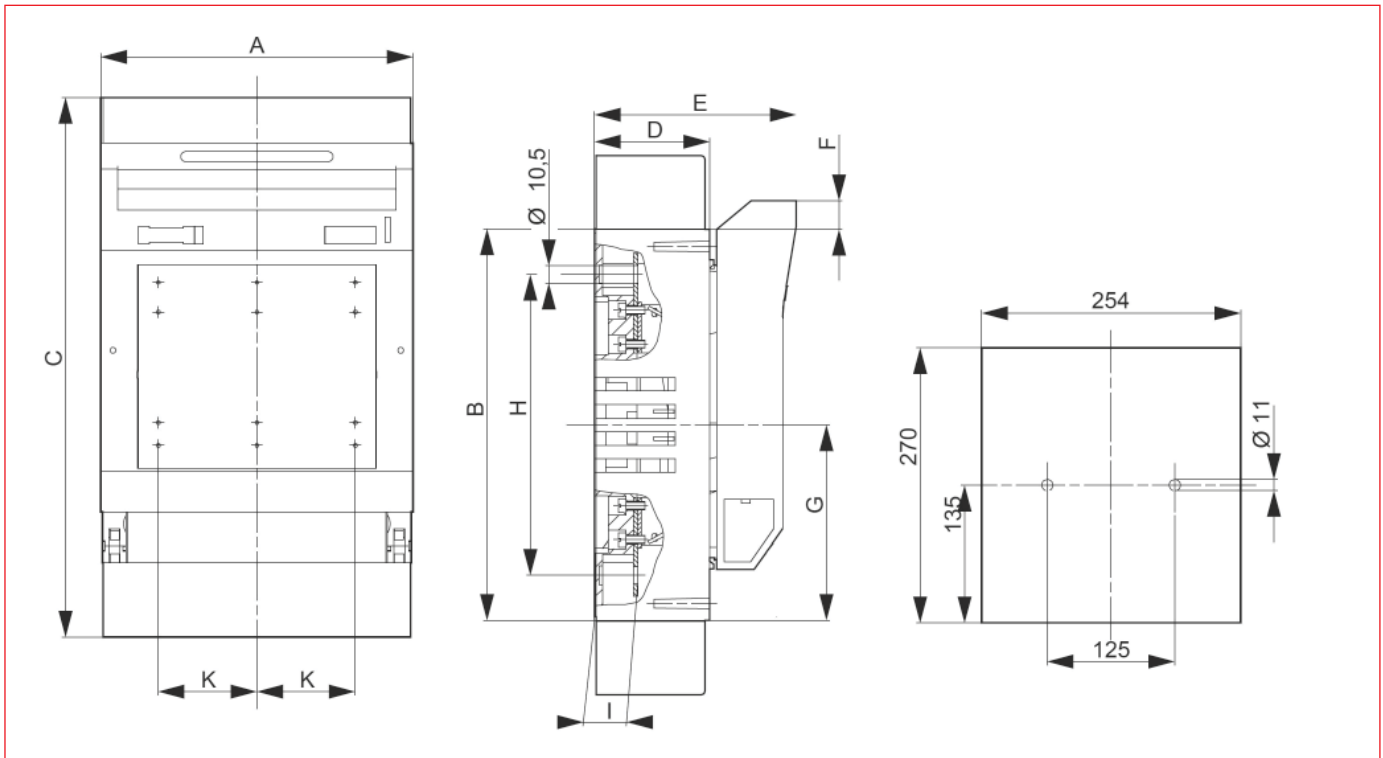
Size	NH3
Poles	3
Applicable for fuse-links	NH2 and NH3
Type of installation	Baseplate mounting
Switching mode	3pole switchable
Rated operating voltage	690V
Rated operating current	630A
Conv. free air thermal current with fuse-links	630A
Conv. free air thermal current with solid links	1000A
Rated impulse voltage	8kV
Rated isolation voltage	800V
Rated frequency	40 - 60Hz
Total power loss at Ith (without fuse-link)	52W
Utilisation category	AC-22B (500V/630A) AC-22B (690V/500A) DC-21B (440V/500A) DC-22B (220V/630A)
Rated conditional short-circuit current	80kA (AC 500V)
Max. permissible power dissipation per fuse-link	48W
Ambient temperature	-25 up to +55 °C >35 °C derating of rated current required
Type of Actuation	Dependent manual operation
Mounting position	vertical / horizontal
Altitude	2000m
Pollution degree	3
Overvoltage category	III
Electrical endurance (switching cycles)	200
Mechanical endurance (switching cycles)	800
Degree of protection	IP20
Cable terminal	Flat terminal M10
Cable lug (DIN 46 235)	1 x 25-300mm ²
Tightening torque	30-35mm ²



NH-fuse-material series ARROW

NH (HRC) fuse loadbreak-disconnectors size 3 (630 A), for surface mounting, series ARROW II

Dimensioned drawing




A	B	C	D	E	F	G	H	I	J
254	270	430	95	147	9	135	220,5	30,5	82

DESCRIPTION	AVAILABLE	ORDER NO.
Size 3, 3-pole, 630A, M12		ISA05295

Accessories for ARROW Bloc

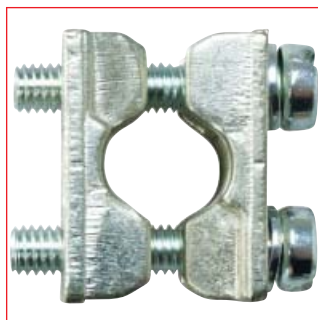


ISA05700

DESCRIPTION	AVAILABLE	ORDER NO.
COVER CAP F.TOP TERMINAL		ISA05700



Accessories for ARROW BLUE



ISA05335

Schrack-Info

- Accessories for NH (HRC) fuse-load-breaker, series ARROW BLUE
- For size 00, 1, 2 and 3

DESCRIPTION	AVAILABLE	ORDER NO.
Single clamp strap size 00		ISA05300
Prism clamp 1,5-70mm ² for size 00		ISA05335
Cover cap for ARROW BLUE size 00		ISA05700-A
Microswitch for ARROW BLUE size 00		ISA05324-A
Boxterminal ARROW BLUE size 1		ISA05744-A
Boxterminal ARROW BLUE size 2 and size 3		ISA05745-A
Terminal cover ARROW BLUE size 00 top or bottom		ISA05701-A
Terminal cover ARROW BLUE size 1		ISA05702-A
Terminal cover ARROW BLUE size 2		ISA05703-A
Height compensation adapter 70 mm to 90 mm for ARROW BLUE size 00		ISA05705-A
Lateral compensation profile 70 mm to 90 mm for ARROW BLUE size 00		ISA05706-A
Terminal cover extension 39 mm or 34 mm for ARROW BLUE size 00		ISA05707-A
Terminal cover extension 32 mm for ARROW BLUE size 00		ISA05708-A
Overlap protector for busbar system 39 mm or 34 mm for ARROW BLUE size 00		ISA05709-A
Overlap protector for busbar system 32 mm for ARROW BLUE size 00		ISA05710-A
Overlap protector for busbar system for output-side 39 mm or 34 mm for ARROW BLUE size 00		ISA05711-A
Overlap protector for busbar system for output-side 32 mm for ARROW BLUE size 00		ISA05712-A
Overlap protector for busbar system 39 mm or 34 mm for ARROW BLUE size 1		ISA05713-A
Overlap protector for busbar system 32 mm for ARROW BLUE size 1		ISA05714-A
Overlap protector for busbar system 39 mm or 34 mm for ARROW BLUE size 2		ISA05715-A
Overlap protector for busbar system 32 mm for ARROW BLUE size 2		ISA05716-A
Cover support top/bottom 60 and 70 mm for ARROW BLUE size 00		ISA05719-A
Cover support sided 32, 60 and 70 mm for ARROW BLUE size 00		ISA05720-A
Cover support top/bottom 60 and 70 mm for ARROW BLUE size 1-3		ISA05721-A
Clip terminal ARROW BLUE size 1		ISA05740-A
Clip terminal ARROW BLUE size 2		ISA05741-A
Clamp terminal ARROW BLUE size 1		ISA05742-A
Clamp terminal ARROW BLUE size 2		ISA05743-A



NH-fuse-material series ARROW

■ Fuse base size 00 (160 A), for surface mounting, series ARROW II / ARROW



ISA050003

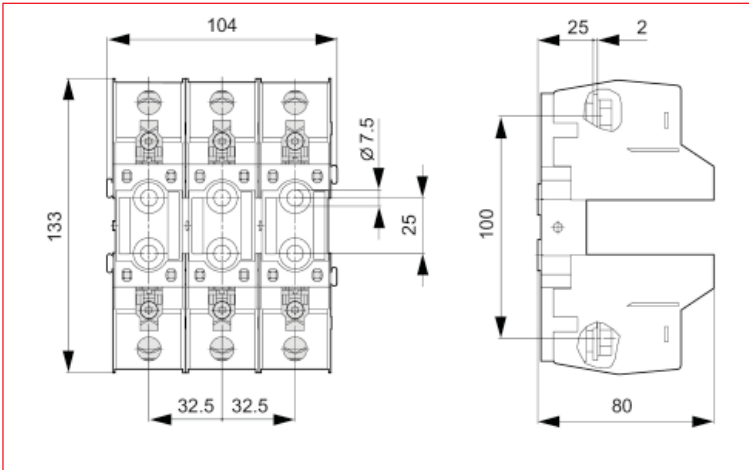
■ Schrack-Info

- Dimensions according ÖNORM E6021 and DIN 43.620
- 3-pole version with 2 section-plates ÖVE-SN40, IEC 269, VDE 0636, SEV 1018

■ Technical Data

Size	NH00
Applicable for fuse-links	NH000 and NH00
Rated operating voltage	690V
Rated operating current	160A
Conv. free air thermal current with fuse-links	160A
Conv. free air thermal current with solid links	210A
Rated frequency	40 - 60Hz
Max. permissible power dissipation per fuse-link	12W
Duty type	Continuous duty
Mounting position	vertical / horizontal
Altitude	2000m
Pollution degree	3
Oversvoltage category	III
Degree of protection	IP00
Cable terminal	Flat terminal M8 - Cable lug 1x 10-95mm ² (max. 25mm width) - 12-15Nm clip terminal - 1,5-70 Cu - 2,6Nm V-terminal - 10-50re, 10-50m, 35-70sm, 50-95se
Protective cover	Yes

■ ISA05039 Dimensions



DESCRIPTION	AVAILABLE	ORDER NO.
Size 00, 2 clamps, 1 pole		ISA05001
HRC-fuse-base size 00, 2 clamps, 1 pole		IS505001
Size 00, V/clamp 1 pole		ISA05003
HRC-fuse-base size 00 V/M8		ISA05037
HRC-fuse-base size 00, 2XM8		ISA05039
Phase separation plate size 00, type TW5		IS505047

■ Fuse base size 1-2 (250/400 A), for surface mounting, series ARROW II

■ Schrack-Info

- NH-fuse-base for baseplate mounting
- NH-fuses size 1 or size 2 according DIN VDE 0636-2 / IEC 60269-2

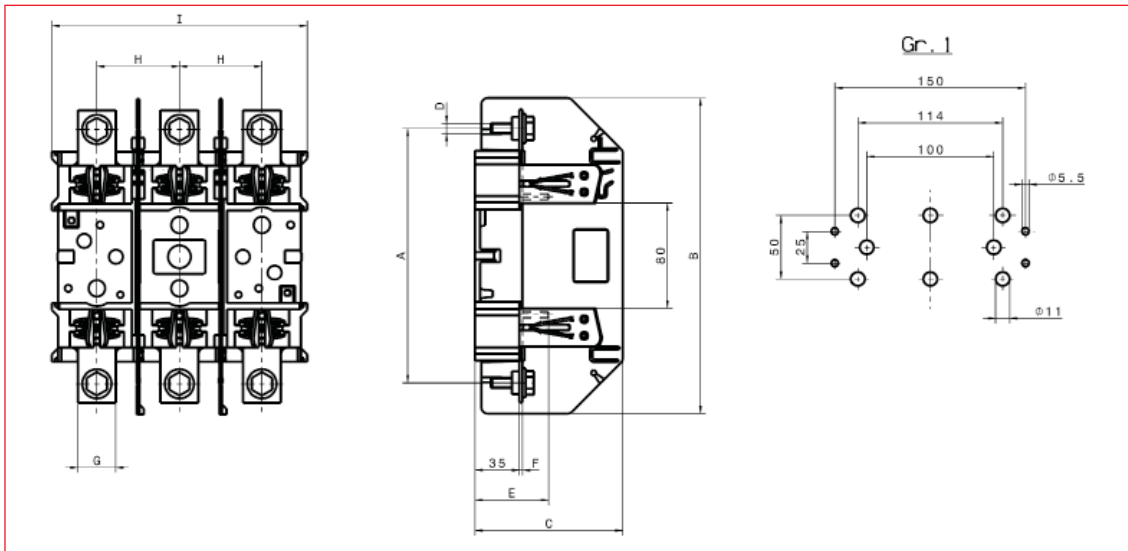
■ Technical data

Size	NH1 - size 1	NH2 - size 2
Poles	3	3
Applicable for fuse-links	NH1	NH2
Rated operating voltage	690V	690V
Rated operating current	250A	400A
Conv. free air thermal current with fuse-links	250A	400A
Conv. free air thermal current with solid links	325A	520A
Rated frequency	40 - 60Hz	40 - 60Hz
Max. permissible power dissipation per fuse-link	32W	45W
Ambient temperature	-25 up to +55°C	-25 up to +55°C
	>35°C derating of rated current required	>35°C derating of rated current required
Duty type	Continuous duty	Continuous duty
Mounting position	vertical / horizontal	vertical / horizontal
Altitude	2000m	2000m
Pollution degree	3	3
Overvoltage category	III	III
Degree of protection	IP00	IP00
Cable terminal	Flat terminal M10	Flat terminal M10
Protective cover	No	No

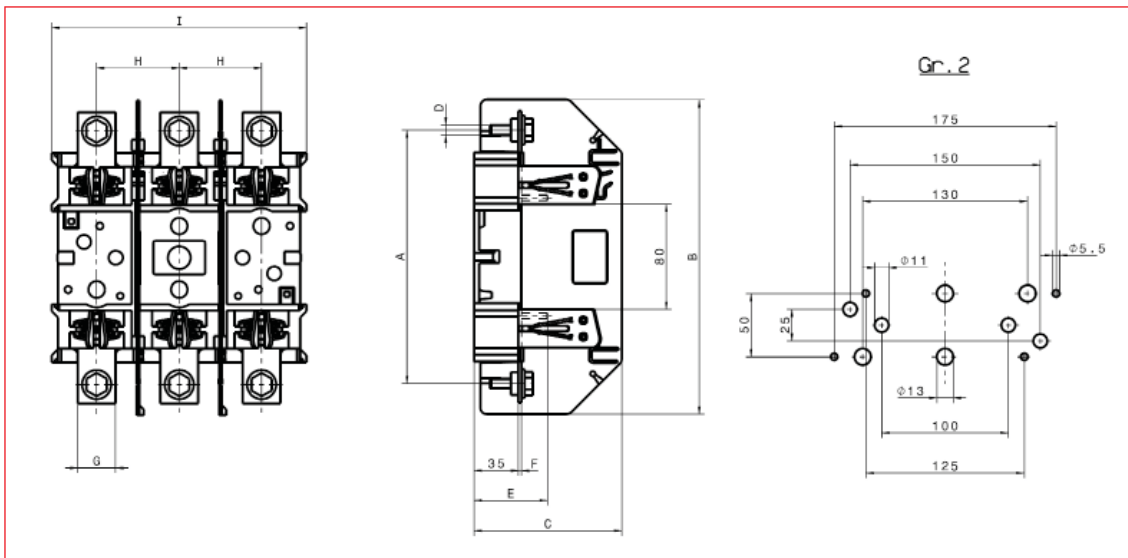
NH-fuse-material series ARROW

■ Fuse base size 1-2 (250/400 A), for surface mounting, series ARROW II

■ ISA05060 Dimensions



■ ISA05061 Dimensions



ISA05060

Type	A	B	C	D	E	F	G	H	I
NH1	175	200	104	M10	58	2,5	25	58	180

ISA05061

Type	A	B	C	D	E	F	G	H	I
NH2	200	230	117	M10	63	2,5	30	66	204

DESCRIPTION	AVAILABLE	ORDER NO.
HRC-fuse-base size 1 2XM10 3P, 250A		ISA05060
HRC-fuse-base size 2 2XM10 3P, 400A		ISA05061

Neutral bracket size 00, for surface mounting, series ARROW II / ARROW



IS505007

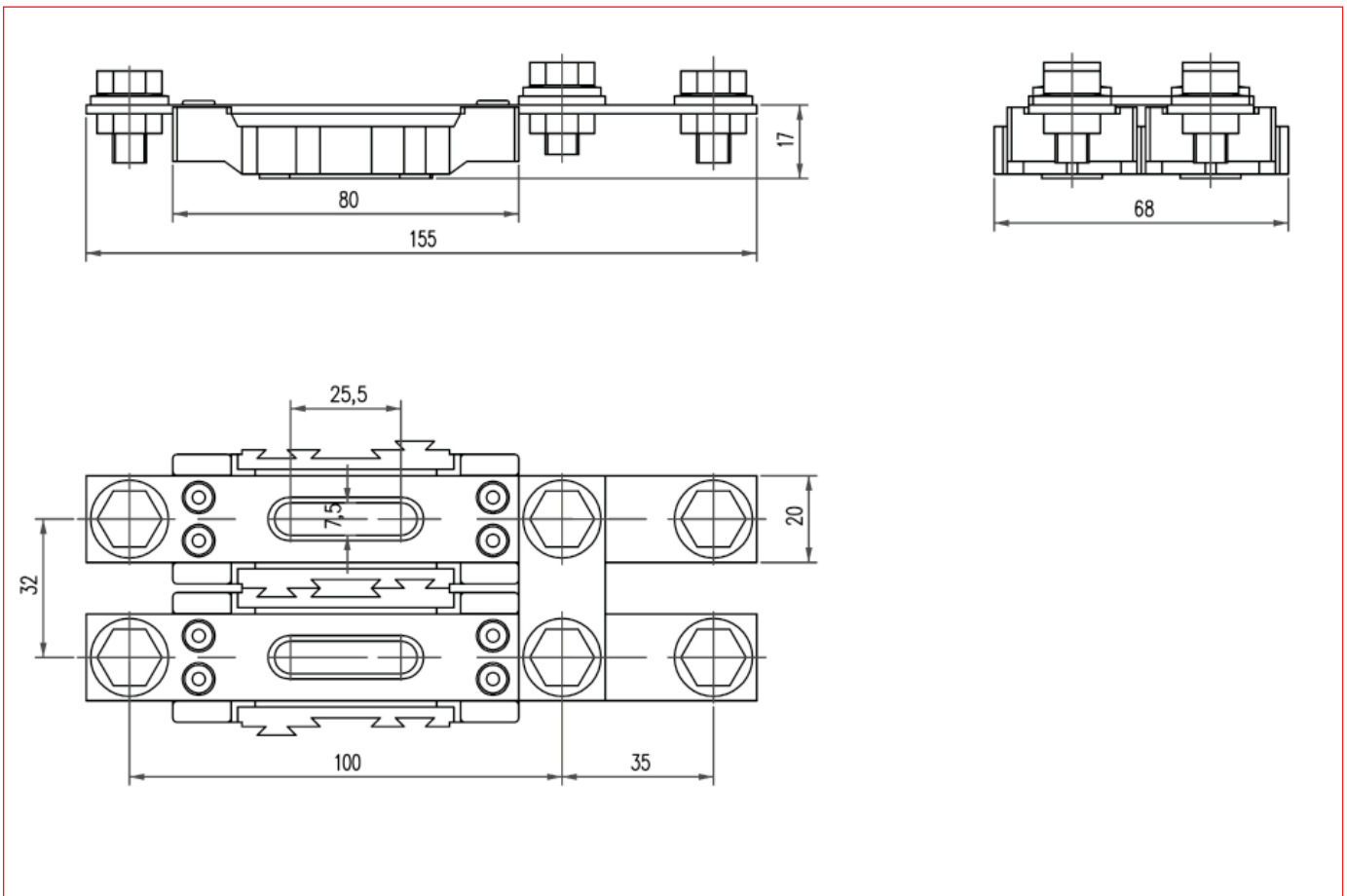


ISA05043

Schrack-Info

Neutral-conductors for NH-fuse-base for mounting-plate.

IS505007 Dimensions



DESCRIPTION	AVAILABLE	ORDER NO.
Size 00, 2 clamps		ISA05005
Size 00, V/clamp		ISA05006
HRC-neutral-conductor size 00, 2XM8		ISA05043
HRC-neutral-conductor size 00, M8/clamp		IS505004
HRC-neutral-conductor size 00, 2 pole, 6 x M8		IS505007
HRC-neutral-conductor size 00, V/clamp		IS505006
HRC-neutral-conductor size 00, 2 pole, 4 x M8		IS505008



NH-fuse-material series ARROW

Accessories for fuse-bases











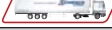
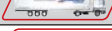
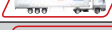


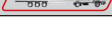
IS505200



IS505201

Schrack-Info

Accessories suitable for NH-fuse-bases

DESCRIPTION	AVAILABLE	ORDER NO.
Phase separation plate size 00		ISA05047
Phase separation plate size 00, short type		ISA05088
Phase separation plate size 1		ISA05058
Cover for HRC-base size 00		ISA05090
Cover for HRC-base size 1		ISA05091
Cover for HRC-base size 2		ISA05092
V-connection terminal VK160, 35-70mm ²		IS505040
Connecting Strap 2 x M 8 - 1 x V-terminal 2 x 35-70 mm ²		IS505099
V-double terminal 2x35-70mm ² sm		IS505018
V-connection terminal 2 x 50-185mm ²		IS505219
V-connection-bridge VB 2x50/2		IS505102
V-connection-bridge VB 1x50/3		IS505104
Connecting Strap M8 - 1 x V-terminal, VK160		IS505098
V-connection terminal VK 400, 35-185mm ²		IS505200
Insulating cap for V-terminal VK400		ISA05193
V-connection tap M12		IS505201
Busbar 1 m/20 x 3 mm holed, 8,5 Ø, hole distance 32 mm (CU-weight 540 g)		IS505100
Fuse handle for HRC-fuses		ISA05211
Insulating cap for V-terminal VK160 (IS505040)		IS505028
Phase separation plate size 00, type short TW5		IS505088

■ Fuse base size 000 (100 A), for 60mm busbar-system, series ARROW II



ISA05019

■ Schrack-Info

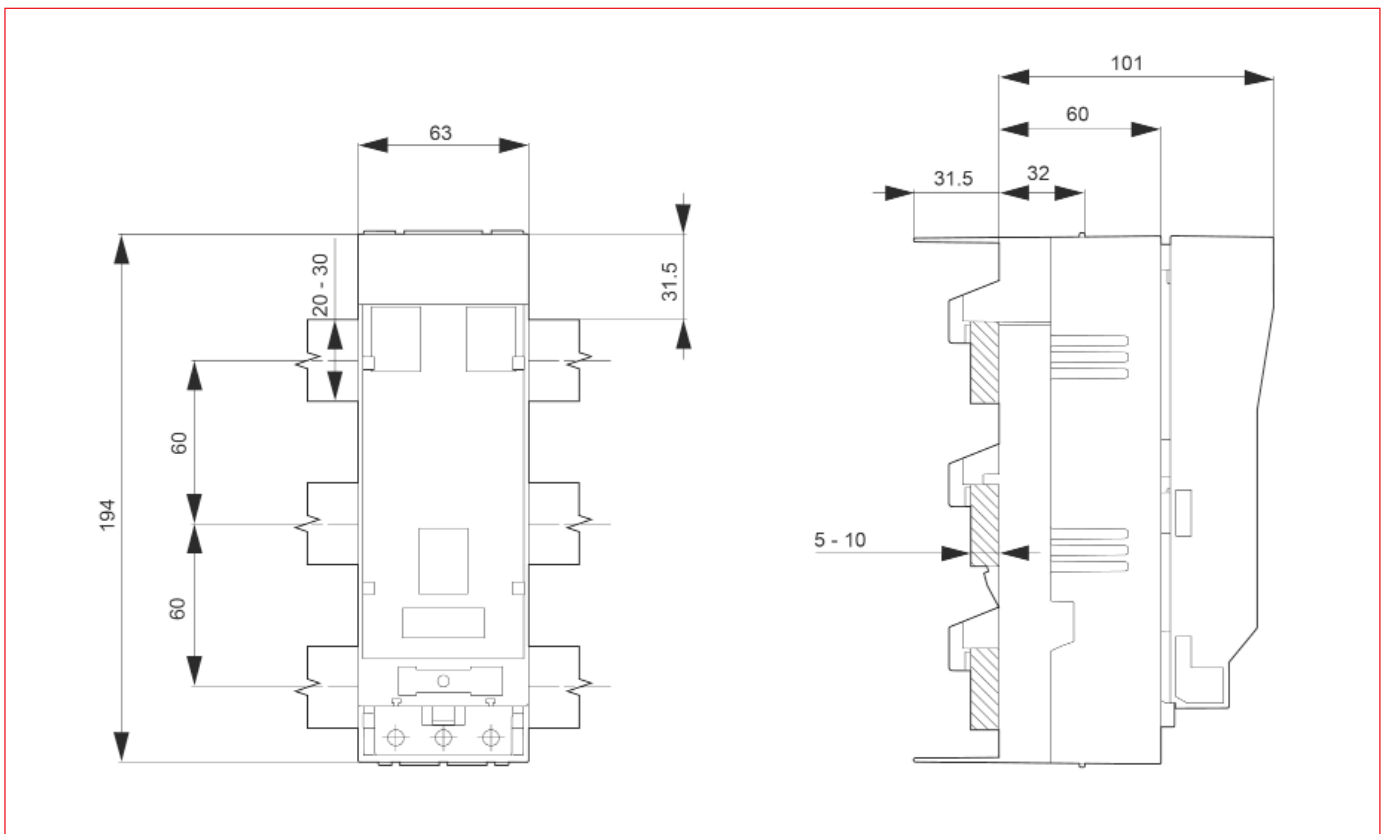
- Compact design, 63mm installation width
- Snap on installation without screws
- For busbars with 12-30 mm width and 5-10 mm thickness

Size	NH000
Poles	3
Applicable for fuse-links	NH000
Standard	IEC/EN 60 947-3
Type of installation	Busbar mounting
Busbar distance	60mm
Switching mode	3pole switchable
Rated operating voltage	500V
Rated operating current	125A
Conv. free air thermal current with fuse-links	125A
Conv. free air thermal current with solid links	160A
Rated impulse voltage	8kV
Rated isolation voltage	500V
Rated frequency	40 - 60Hz
Total power loss at Ith (without fuse-link)	18W
Utilisation category	AC-22B (500V/125A)
	DC-22B (220V/100A)
Rated conditional short-circuit current	50kA (AC 500V)
Max. permissible power dissipation per fuse-link	8W
Ambient temperature	-25 up to +55 °C
	>35 °C derating of rated current required
Type of Actuation	Dependent manual operation
Mounting position	vertical
Altitude	2000m
Pollution degree	3
Overvoltage category	III
Electrical endurance (switching cycles)	200
Mechanical endurance (switching cycles)	1400
Degree of protection	IP20
Direction of cable terminal	bottom side
Terminal type	Elevator-clamp
Clamping range	1,5 - 50mm ² Cu
Isolation strength	max. 20mm
Tightening torque	2,6Nm

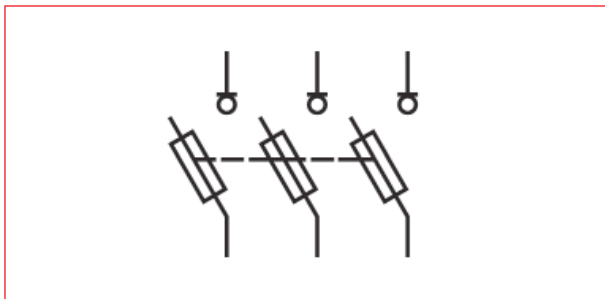
NH-fuse-material series ARROW


■ Fuse base size 000 (100 A), for 60mm busbar-system, series ARROW II

■ Dimensions

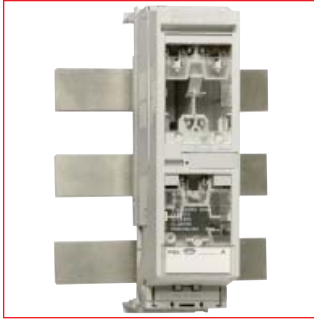


■ ISA05019 Wiring diagram



DESCRIPTION	AVAILABLE	ORDER NO.
Arrow Bloc C00 for 60mm busbar inout bottom		ISA05019

■ Fuse base size 000 (100 A), for 60mm busbar-system, 54mm wide



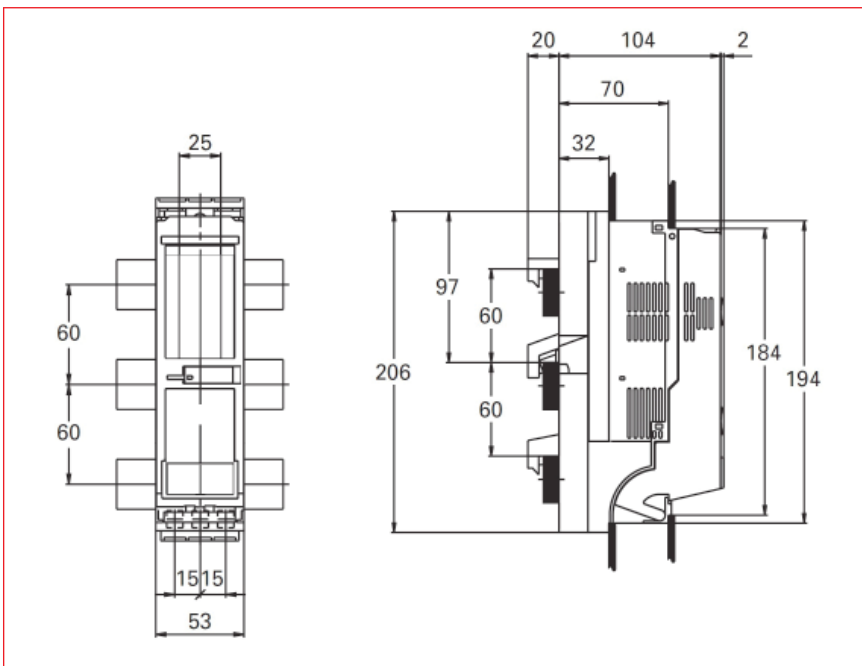
IS505019-B

■ Schrack-Info

- Device width 54 mm
- Touch protection IP 3x
- Lid lock combined with sealing
- Connection box terminal up to 2.5-50mm²

Size	000
Poles / Phases	3
Conventional thermal current in free air with NH-fuse links I_n	100A
Busbar system	60mm
Busbar high	20-30mm
Busbar thickness	5 or 10mm
Standard	IEC/EN 60947-3
Utilisation category / Rated operation voltage U_e / Rated operation current I_e	AC 22 B / $U_e = 690V / I_e = 100A$ DC 21 B / $U_e = 440V / I_e = 100A$
Rated operation voltage U_e	690V
Rated isolation voltage U_i	750V
Rated impulse withstand voltage U_{imp}	8kV
Rated frequency	50-60Hz
Maximum permissible rated power output of the NH fuse links P_n	12W
Protection class	IP20
Pollution degree	3
Rated duty continuous operation	non-stop operation
Rated conditional short circuit current for protection by fuses:	AC 50kA (690V/500V) DC 25kA (220V/440V)
Electrical live (operations)	300
Mechanical live (operations)	1700
Overvoltage category	III
Standard connection	lift-terminal
Terminal capacity	1,5-50mm ²

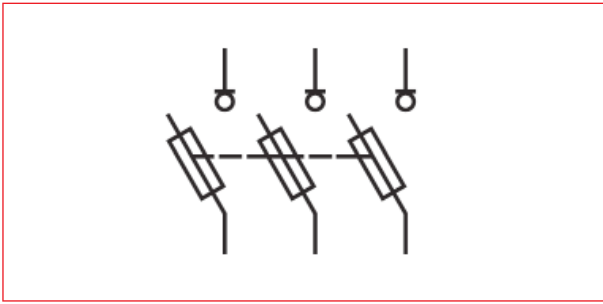
■ Dimensions



NH-fuse-material series ARROW

■ Fuse base size 000 (100 A), for 60mm busbar-system, 54mm wide

■ IS505019 Wiring diagram



DESCRIPTION	AVAILABLE	ORDER NO.
Arrow Bloc C00 for 60mm busbar system, output bottom		IS505019-B

■ Fuse base size 00 (160 A), for 60mm busbar-system, series ARROW II



ISA05223

Size	NH00
Poles	3
Applicable for fuse-links	NH000 and NH00
Type of installation	Busbar mounting
Busbar distance	40, 50 and 60mm
Switching mode	3pole switchable
Rated operating voltage	690V
Rated operating current	160A
Conv. free air thermal current with fuse-links	160A
Conv. free air thermal current with solid links	210A
Rated impulse voltage	8kV
Rated isolation voltage	800V
Rated frequency	40 - 60Hz
Utilisation category	AC-22B (500V/160A)
	AC-22B (690V/100A)
	DC-21B (440V/100A)
	DC-22B (220V/160A)
Rated conditional short-circuit current	50kA (AC 500V)
Max. permissible power dissipation per fuse-link	12W
Ambient temperature	-25 up to +55°C >35°C derating of rated current required
Type of Actuation	Dependent manual operation
Mounting position	vertical / horizontal
Altitude	2000m
Pollution degree	3
Overtoltage category	III
Electrical endurance (switching cycles)	200
Mechanical endurance (switching cycles)	1400
Degree of protection	IP20
Direction of cable terminal	variable
Cable terminal	Flat terminal M8

DESCRIPTION	AVAILABLE	ORDER NO.
Size 00, 3-pole, 160A, M8, with window lock		ISA05223F

■ Fuse base size 00 (160 A), for busbar, series ARROW BLUE



ISA05223-A

■ Schrack-Info

- Output direction from top to bottom is easy and quickly to change
- 1-point quick-fixing
- Integrated infringe-protection side and top
- Contactless fuse take out
- Closing part sealable and lockable
- Park position for closing part
- Patented voltage measuring slots, tool-bound open, without tools close

For LV HRC fuse-links acc. to DIN VDE 0636-2	Size 000/00
Standard	IEC/DIN/EN 60947-3 / VDE 0660-107
Rated operational voltage U_e	690V-AC 440V-DC
Rated operational current ¹⁾ I_n	160 A
Rated frequency f	40 - 60 Hz
Rated insulation voltage U_i	800V-AC
Total power loss at I_n (without fuse-links) P_V	14W
Rated impulse withstand voltage U_{imp}	8kV
Utilisation category ²⁾	AC-23B (400V/160A) ^{2b)}
	AC-22B (500V/160A) ^{2b)}
	AC-21B (690V/160A) ^{2b)}
	DC-22B (250V/160A) ^{2b)}
	DC-21B (440V/160A) ^{2c)}
Rated conditional short-circuit current ^{2) 3)}	120 kA (500V) ^{2b)}
	100 (690V) ^{2b)}
Rated short-time withstand current I_{cw}	7 kA (1s)
Max. permis. power loss per fuse-link P_a	12 W
Degree of protection	Front side, operating condition IP20
	With clamp- and lateral cover IP20XC
	switching element open IP10
Ambient temperature ⁴⁾ T_{amb}	-25 up to +55 °C
Rated operating mode	Uninterrupted duty
Actuation	dependent manual operation
Mounting position	vertical / horizontal
Altitude	up to 2000 m
Pollution degree	3
Overvoltage category	III
Cable terminal, flat terminal	Bolt diameter M8
	Tightening torque M_n 12-15 Nm
Cable terminal, clip terminal	Clamping cross-section conductor round 1,5 - 70 mm ² copper
	busbar 6 x 9 x 0,8
	Tightening torque M_n 2,6 Nm

¹⁾ In case of mounting of several units in low voltage switch-gear-combinations, please consider rated diversity factors acc. to EN 61439-1.

²⁾ It must be considered a minimum distance to earthed, conductive parts:

^{2b)} Lateral: 20mm / Above: 50mm

^{2c)} Lateral: 50mm / Above: 100mm

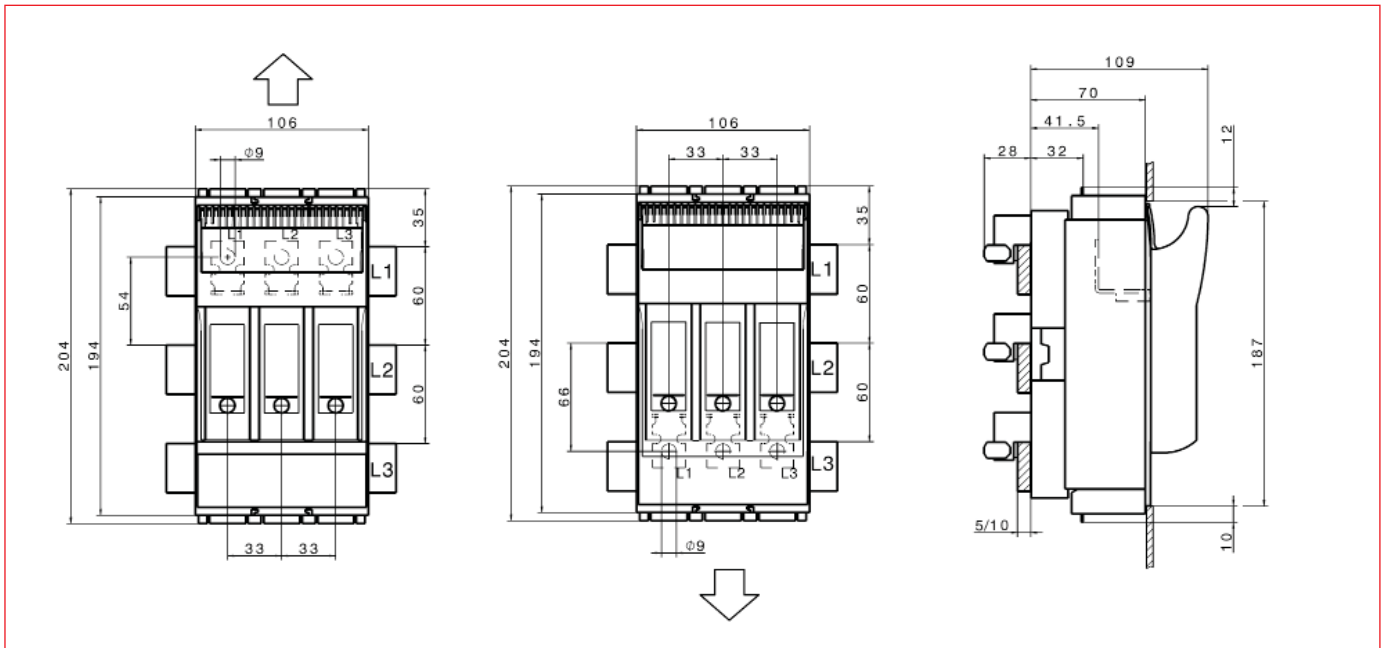
³⁾ Type tested with LV-HRC-fuse-links characteristic gG.

⁴⁾ 35°C Normal temperature, at 55°C with reduced operating current

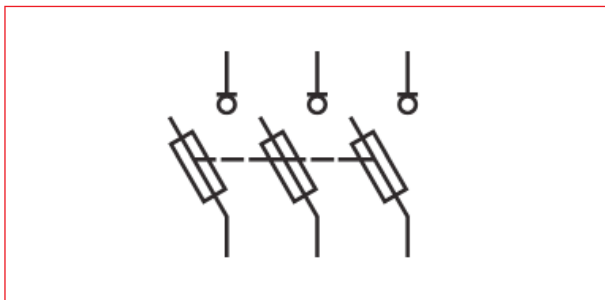
NH-fuse-material series ARROW

■ Fuse base size 00 (160 A), for busbar, series ARROW BLUE

■ Dimensions



■ ISA05223-A Wiring diagram



DESCRIPTION	AVAILABLE	ORDER NO.
Size 00, 3-pole, 160A, M8		ISA05223-A
Single clamp strap size 00		ISA05300
Prism clamp 1,5-70mm ² for size 00		ISA05335


■ Fuse base size 1 (250 A), for 60mm busbar-system, series ARROW II



ISA05290

■ Technical Data

Size	NH1	NH2
Poles:	3	3
Type of installation	Busbar mounting	Busbar mounting
Busbar-system	60 mm	60 mm
Switching mode	3- pole switchable	3- pole switchable
Rated operating voltage	690 V	690 V
Rated operating current	250 A	400 A
Utilisation category	AC-22B (500 V / 250 A) AC-22B (690 V / 200 A) DC-21B (440 V / 200 A) DC-22B (220 V / 250 A)	AC-22B (500 V / 400 A) AC-22B (690 V / 315 A) DC-21B (440 V / 315 A) DC-22B (220 V / 400 A)
Rated conditional short-circuit current	50 kA [AC 500 V]	80 kA [AC 500 V]
Max. permissible power dissipation per fuse-link	23 W	34 W
Ambient temperature	-25 up to + 55 °C > 35 °C derating of rated current required	
Type of Actuation	Dependent manual operation	
Mounting position	vertical / horizontal	
Altitude	2000 m	
Pollution degree	3	
Overvoltage category	III	
Degree of protection	IP20	
Connection side	top or bottom	
Cable terminal	Flat terminal M10	Flat terminal M10
Cable lug M8 (DIN 46 235)	1 x 25-150 mm ² <IB:/sup>	1 x 25-240 mm ² <IB:/sup>
Busbar size	30 x 10	30 x 10
Torque	30-35 Nm	30-35 Nm

DESCRIPTION	AVAILABLE	ORDER NO.
Size 1, 3-pole, 250A, M10, outlet bottom		ISA05290
Size 1, 3-pole, 250A, M10, outlet top		ISA05291



■ Fuse base size 1 (250 A), for 60mm busbar-system, series ARROW BLUE



ISA05290-A

■ Schrack-Info

- Output direction from top to bottom is easy and quickly to change
- 1-point quick-fixing
- Integrated infringe-protection side and top
- Contactless fuse take out
- Closing part sealable and lockable
- Park position for closing part
- Patented voltage measuring slots, tool-bound open, without tools close

Standard	IEC/DIN/EN 60947-3
For LV HRC fuse-links acc. to DIN VDE 0636-2	size 1
Rated operational voltage U_n	690VAC / 440V-DC
Rated operational current ¹⁾ I_n	250A
Conv. free air thermal current with fuse-links ¹⁾ I_{th}	250A
Rated frequency f	40-60Hz
Rated insulation voltage U_i	800V-AC
Total power loss at I_{th} (without fuse-links) P_v	22W
Rated impulse withstand voltage U_{imp}	8kV
Utilisation category ²⁾	AC-23B (400V/250A) ^{2b)}
	AC-22B (500V/250A) ^{2b)}
	AC-21B (690V/250A) ^{2b)}
Rated conditional short-circuit current ^{2) 3)}	120 kA (500V) ^{2b)}
	100 (690V) ^{2b)}
Rated short-time withstand current I_{cw}	10kA(1s)
Max. permis. power loss per fuse-link P_a	23W
Degree of protection, front side	Operating condition IP20
	With clamp- and lateral cover IP20XC
	switching element open IP10
Ambient temperature ⁴⁾ T_{amb}	-25 up to +55 °C
Rated operating mode	Uninterrupted duty
Actuation	dependent manual operation
Mounting position	vertical / horizontal
Altitude	up to 2000 m
Pollution degree	3
Overvoltage category	III
Cable terminal	Flat terminal, Bolt diameter M10
	Tightening torque 30-35Nm

¹⁾ In case of mounting of several units in low voltage switch-gear-combinations, please consider rated diversity factors acc. to EN 61439-1.

²⁾ It must be considered a minimum distance to earthed, conductive parts:

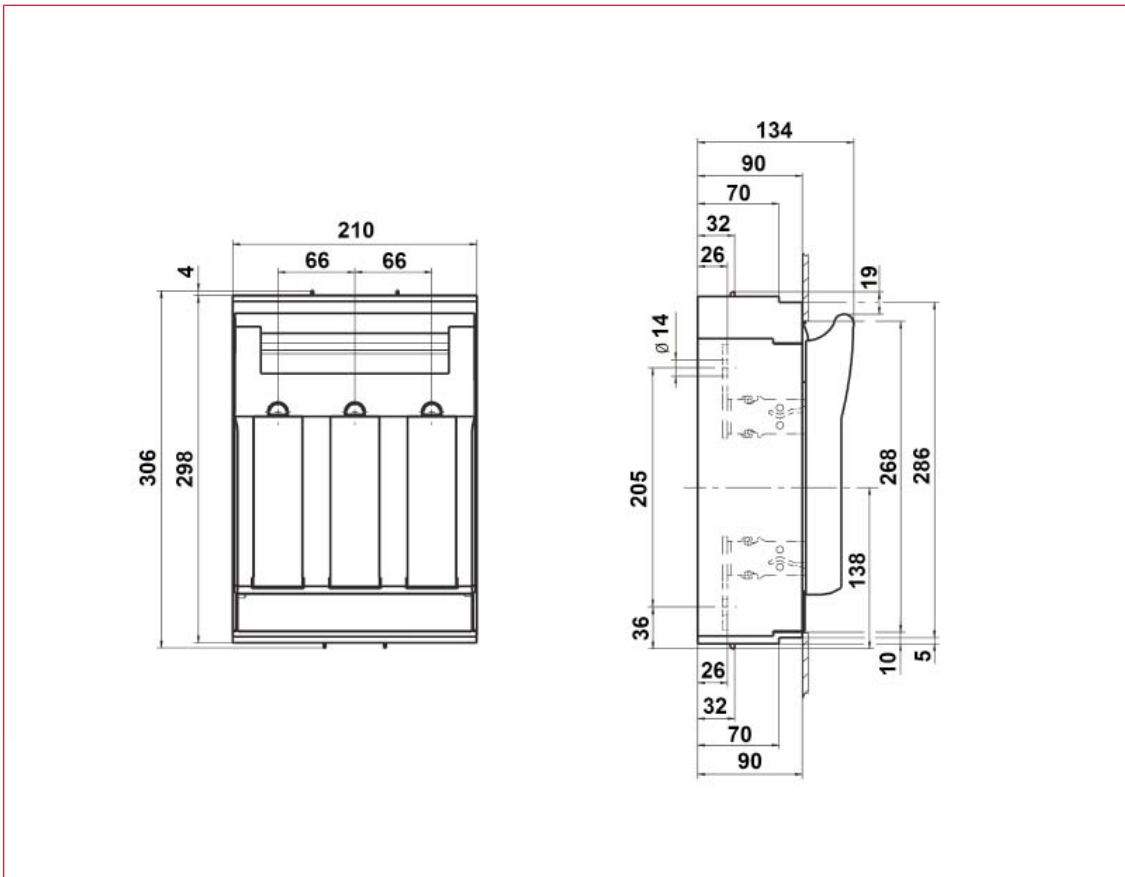
^{2b)} Lateral: 20mm / Above: 50mm

³⁾ Type tested with LV-HRC-fuse-links characteristic gG.

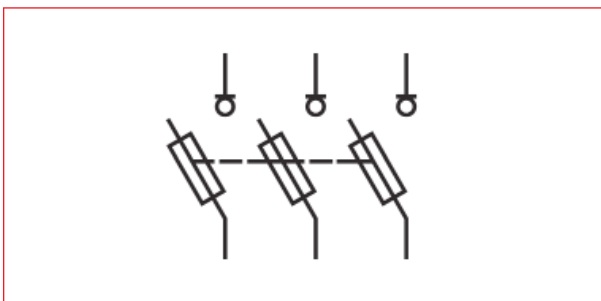
⁴⁾ 35°C Normal temperature, at 55°C with reduced operating current


▀ Fuse base size 1 (250 A), for 60mm busbar-system, series ARROW BLUE

▀ Dimensions



▀ ISA05290-A Wiring diagram



DESCRIPTION	AVAILABLE	ORDER NO.
Size 1, 3-pole, 250A, M10, outlet top or bottom		ISA05290-A

NH-fuse-material series ARROW


■ Fuse base size 2 (400 A), for 60mm busbar-system, series ARROW II



ISA05251

■ Technical Data

Size	NH1	NH2
Poles:	3	3
Type of installation	Busbar mounting	Busbar mounting
Busbar-system	60 mm	60 mm
Switching mode	3- pole switchable	3- pole switchable
Rated operating voltage	690 V	690 V
Rated operating current	250 A	400 A
Utilisation category	AC-22B (500 V / 250 A) AC-22B (690 V / 200 A) DC-21B (440 V / 200 A) DC-22B (220 V / 250 A)	AC-22B (500 V / 400 A) AC-22B (690 V / 315 A) DC-21B (440 V / 315 A) DC-22B (220 V / 400 A)
Rated conditional short-circuit current	50 kA (AC 500 V)	80 kA (AC 500 V)
Max. permissible power dissipation per fuse-link	23 W	34 W
Ambient temperature	-25 up to + 55 °C > 35 °C derating of rated current required	
Type of Actuation	Dependent manual operation	
Mounting position	vertical / horizontal	
Altitude	2000 m	
Pollution degree	3	
Oversvoltage category	III	
Degree of protection	IP20	
Connection side	top or bottom	
Cable terminal	Flat terminal M10	Flat terminal M10
Cable lug M8 (DIN 46 235)	1 x 25-150 mm ² ^{B:}	1 x 25-240 mm ² ^{B:}
Busbar size	30 x 10	30 x 10
Torque	30-35 Nm	30-35 Nm

DESCRIPTION	AVAILABLE	ORDER NO.
Size 2, 3-pole, 400A, M10, outlet bottom		ISA05251

■ Fuse base size 2 (400 A), for 60mm busbar-system, series ARROW BLUE



ISA05251-A

■ Schrack-Info

- Output direction from top to bottom is easy and quickly to change
- 1-point quick-fixing
- Integrated infringe-protection side and top
- Contactless fuse take out
- Closing part sealable and lockable
- Park position for closing part
- Patented voltage measuring slots, tool-bound open, without tools close

Standard	IEC/DIN/EN 60947-3
For LV HRC fuse-links acc. to DIN VDE 0636-2	size 2
Rated operational voltage U_e	690VAC / 440 V DC
Rated operational current ¹⁾ I_e	400A
Conv. free air thermal current with fuse-links ¹⁾ I_{th}	400A
Rated frequency f	40-60Hz
Rated insulation voltage U_i	800 V AC
Total power loss at Ith (without fuse-links) P_v	22W
Rated impulse withstand voltage U_{imp}	8kV
Utilisation category ²⁾	AC-23B (400V/400A) ^{2b)}
	AC-22B (500V/400A) ^{2b)}
	AC-21B (690V/400A) ^{2b)}
Rated conditional short-circuit current ^{2) 3)}	120 kA (500V) ^{2b)}
	100 (690V) ^{2b)}
Rated short-time withstand current I_{cw}	10kA(1s)
Max. permis. power loss per fuse-link P_n	34W
Degree of protection, front side	Operating condition IP20
	With clamp- and lateral cover IP20XC
	switching element open IP10
Ambient temperature ⁴⁾ T_{amb}	-25 up to +55 °C
Rated operating mode	Uninterrupted duty
Actuation	dependent manual operation
Mounting position	vertical / horizontal
Altitude	up to 2000 m
Pollution degree	3
Overvoltage category	III
Cable terminal	Flat terminal, Bolt diameter M10
	Tightening torque 30-35Nm

¹⁾ In case of mounting of several units in low voltage switch-gear-combinations, please consider rated diversity factors acc. to EN 61439-1.

²⁾ It must be considered a minimum distance to earthed, conductive parts:

^{2b)} Lateral: 20mm / Above: 50mm

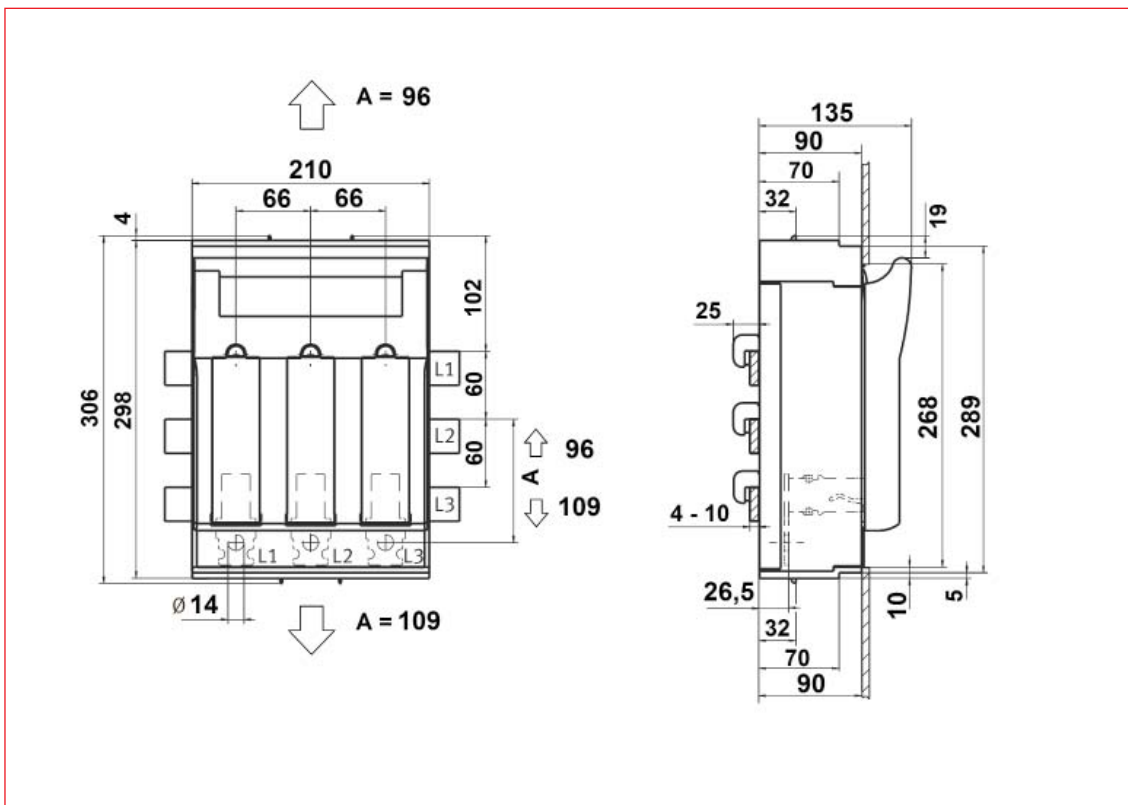
³⁾ Type tested with LV-HRC-fuse-links characteristic gG.

⁴⁾ 35°C Normal temperature, at 55°C with reduced operating current

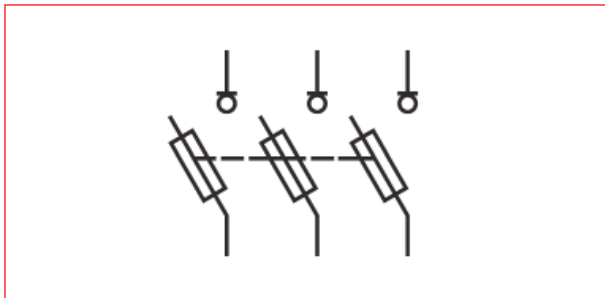
NH-fuse-material series ARROW


▀ Fuse base size 2 (400 A), for 60mm busbar-system, series ARROW BLUE

▀ Dimensions

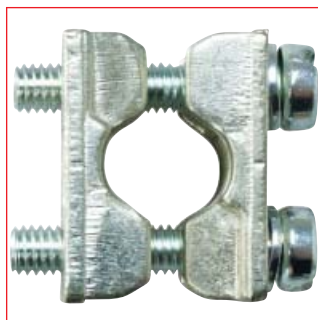


▀ ISA05251-A Wiring diagram



DESCRIPTION	AVAILABLE	ORDER NO.
Size 2, 3-pole, 400A, M10, outlet top or bottom		ISA05251-A

Accessories for 60mm busbar-system, series ARROW BLUE



ISA05335

DESCRIPTION	AVAILABLE	ORDER NO.
Single clamp strap size 00		ISA05300
Clip terminal ARROW BLUE size 1		ISA05740-A
Overlap protector for busbar system 39 mm or 34 mm for ARROW BLUE size 00		ISA05709-A
Prism clamp 1,5-70mm ² for size 00		ISA05335
Overlap protector for busbar system 32 mm for ARROW BLUE size 00		ISA05710-A
Clamp terminal ARROW BLUE size 1		ISA05742-A
Overlap protector for busbar system for output-side 39 mm or 34 mm for ARROW BLUE size 00		ISA05711-A
Boxterminal ARROW BLUE size 1		ISA05744-A
Clip terminal ARROW BLUE size 2		ISA05741-A
Overlap protector for busbar system for output-side 32 mm for ARROW BLUE size 00		ISA05712-A
Overlap protector for busbar system 39 mm or 34 mm for ARROW BLUE size 1		ISA05713-A
Clamp terminal ARROW BLUE size 2		ISA05743-A
Boxterminal ARROW BLUE size 2 and size 3		ISA05745-A
Overlap protector for busbar system 32 mm for ARROW BLUE size 1		ISA05714-A
Overlap protector for busbar system 39 mm or 34 mm for ARROW BLUE size 2		ISA05715-A
Overlap protector for busbar system 32 mm for ARROW BLUE size 2		ISA05716-A



■ Fuse loadbreak-disconnectors size 00 (160A), for 60mm busbar-system, series ARROW II



ISA05260

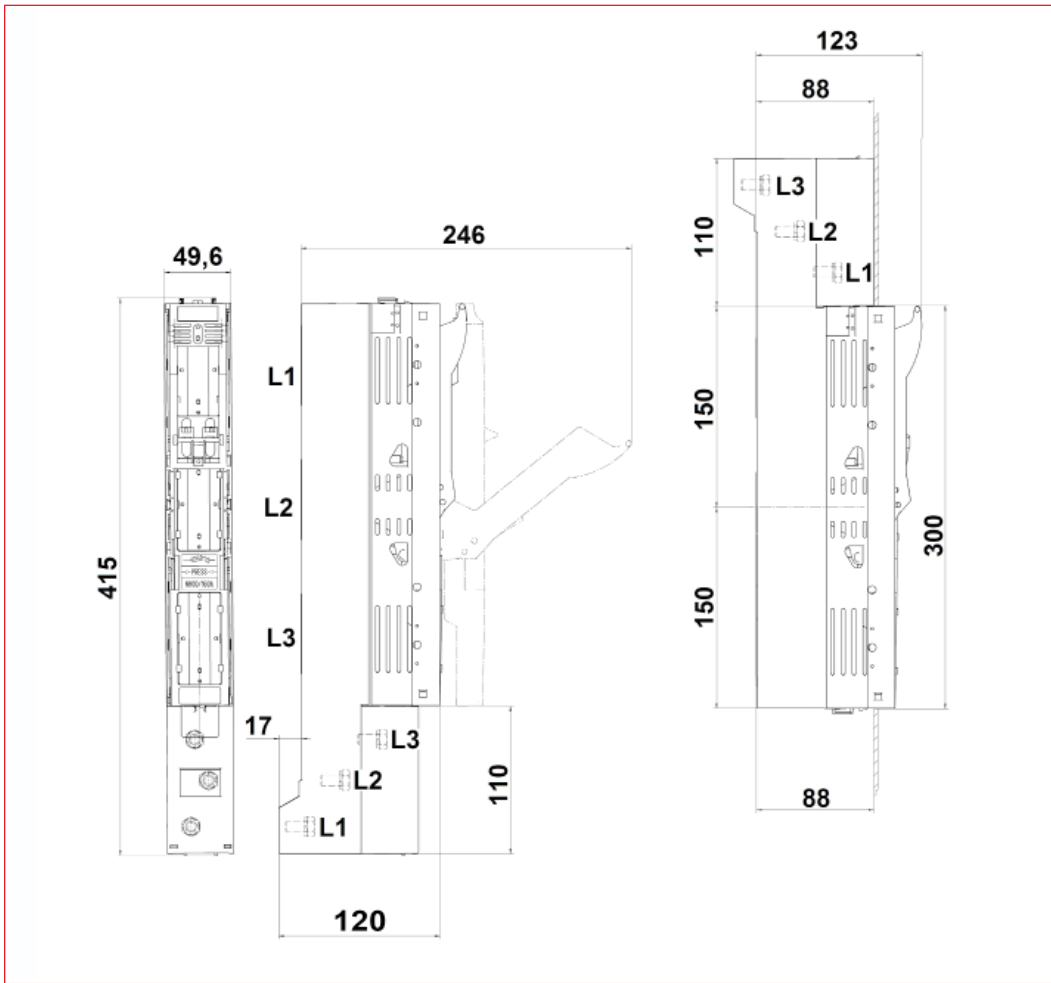
■ Schrack-Info

- NH-strip-type fuse-switch-disconnector with adapter for 60mm busbar-system
- With cable connection at bottom side, optional at top side
- Width 50mm, for permanent mounting technology
- All parts of LSL made from halogenfree, self-extinguishing material
- Protection degree IP30, from front side, device closed, with clamp- and side cover
- Type label visible in built-in condition
- Lockable in closed position with up to 2 padlocks

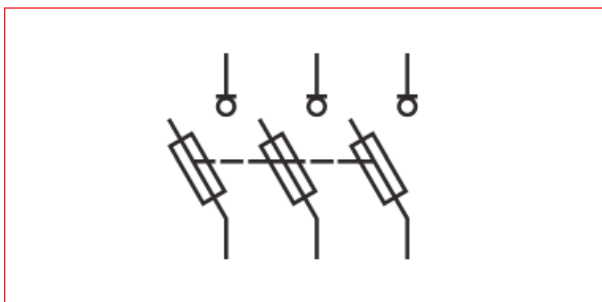
Size	NH00
Standards	IEC/EN60947-3
Busbar distance	60mm
Poles	3
Switching mode	3pole switchable
Applicable for fuse-links	NH000 and NH00
Rated operating voltage	690V
Rated operating current	160A
Conv. free air thermal current with fuse-links	160A
Conv. free air thermal current with solid links	210A
Rated impulse voltage	8kV
Rated isolation voltage	800V
Rated frequency	50 - 60Hz
Total power loss at Ith (without fuse-link)	18W
Utilisation category	AC-22B (100A/690V)
	AC-22B (160A/400V)
	AC-22B (160A/500V)
Rated conditional short-circuit current	80kA (AC 500V)
Max. permissible power dissipation per fuse-link	12W
Ambient temperature	-25 up to +55°C
	>35°C derating of rated current required
Type of Actuation	Dependent manual operation
Mounting position	user-defined
Pollution degree	3
Overvoltage category	III
Electrical endurance (switching cycles)	200
Mechanical endurance (switching cycles)	1400
Degree of protection	IP30
Cable terminal	Flat terminal M8
Cable lug (DIN 46 235)	1 x 10-95mm ² (max. 25mm width)
Tightening torque	12-15 Nm

■ Fuse loadbreak-disconnectors size 00 (160A), for 60mm busbar-system, series ARROW II

■ Dimensions



■ ISA05260 Wiring diagram



DESCRIPTION	AVAILABLE	ORDER NO.
Size 00, 3-pole, 160A, M8		ISA05260



■ Fuse loadbreak-disconnectors size 00 (160A), for 60mm busbar-system, series ARROW II



ISA05261

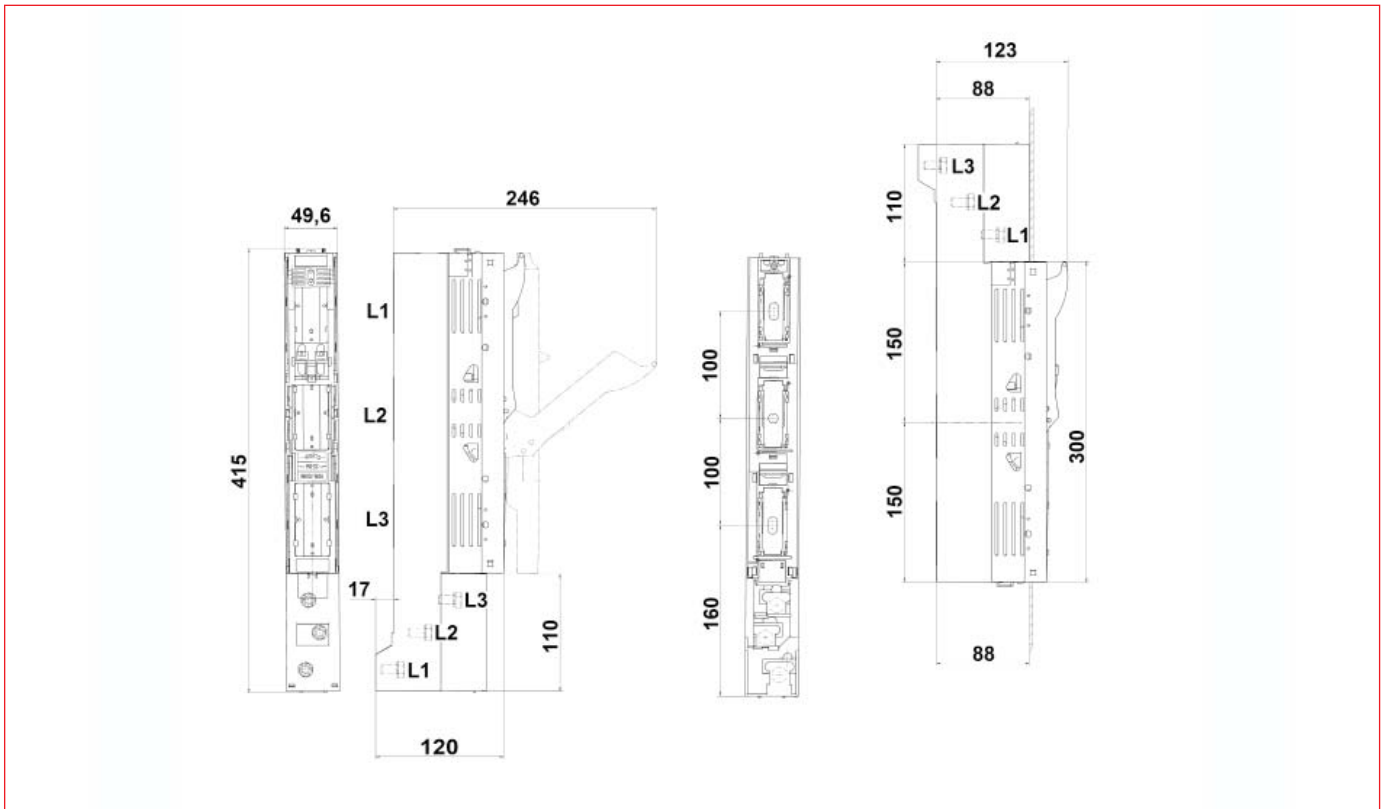
■ Schrack-Info

- NH-strip-type fuse-switch-disconnector for 100mm busbar-system
- With cable connection at bottom side, optional at top side
- Width 50mm, for permanent mounting technology
- All parts of LSL made from halogenfree, self-extinguishing material
- Protection degree IP30, from front side, device closed, with clamp- and side cover
- Type label visible in built-in condition
- Lockable in closed position with up to 2 padlocks

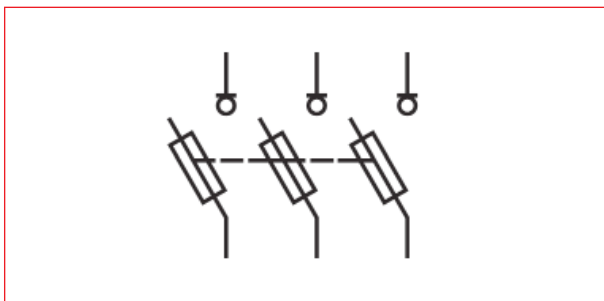
Size	NH00
Standards	IEC/EN60947-3
Busbar distance	100mm
Poles	3
Switching mode	3pole switchable
Applicable for fuse-links	NH000 and NH00
Rated operating voltage	690V
Rated operating current	160A
Current measurement	No
Conv. free air thermal current with fuse-links	160A
Conv. free air thermal current with solid links	210A
Rated impulse voltage	8kV
Rated isolation voltage	800V
Rated frequency	50 - 60Hz
Total power loss at Ith (without fuse-link)	18W
Utilisation category	AC-22B (100A/690V)
	AC-22B (160A/400V)
	AC-22B (160A/500V)
Rated conditional short-circuit current	80kA (AC 500V)
Max. permissible power dissipation per fuse-link	12W
Ambient temperature	-25 up to +55°C
	>35°C derating of rated current required
Type of Actuation	Dependent manual operation
Mounting position	user-defined
Pollution degree	3
Overvoltage category	III
Electrical endurance (switching cycles)	200
Mechanical endurance (switching cycles)	1400
Degree of protection	IP30
Cable terminal	Flat terminal M8
Cable lug (DIN 46 235)	1 x 10-95mm ² (max. 25mm width)
Tightening torque	12-15 Nm

■ Fuse loadbreak-disconnectors size 00 (160A), for 60mm busbar-system, series ARROW II

■ Dimensions



■ ISA05261 Wiring diagram



DESCRIPTION	AVAILABLE	ORDER NO.
Adapter for 2 strips, size 00 - 100mm, clamp fixation		ISA05323
Cover for Double adapter for busbar 185mm		ISA05328
ARROW LINE size 00, 3 pole, f. 100mm busbar with Window bloc		ISA05261 F
Size 00, 3-pole, 160A, M8, for 100 mm busbar-system		ISA05261
Single adapter f/busbar 185mm		ISA05327
Double adapter f/busbar 185mm		ISA05326
Forked clamp HRC-00		ISA05325
Single clamp strap size 00		ISA05300
Prism clamp 1,5-70mm ² for size 00		ISA05335

■ NH-Line (HRC) fuse load-breaker size 00 (160A), for 185mm busbar-system, series ARROW II



ISA05304

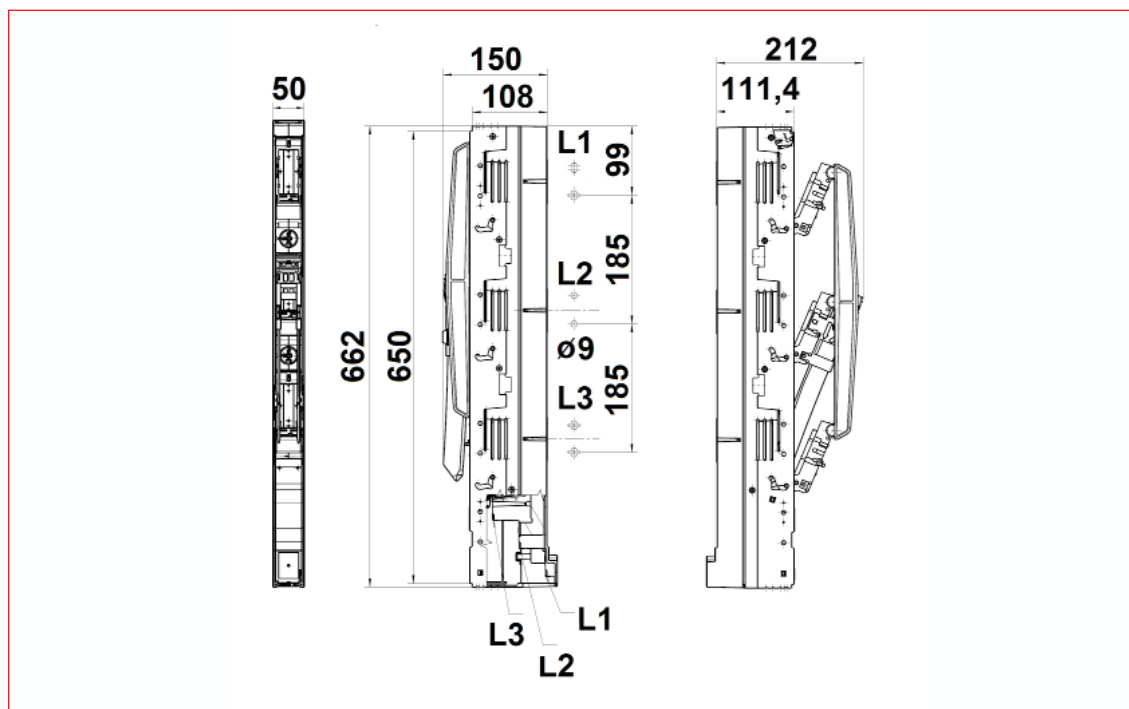
■ Schrack-Info

- NH-strip-type fuse-switch-disconnector for 185mm busbar-system
- With cable connection at bottom side, optional at top side
- Width 50mm
- All parts of LSL made from halogenfree, self-extinguishing material
- Protection degree IP30, from front side, device closed, with clamp- and side cover
- Type label visible in built-in condition
- Lockable in closed position with up to 2 padlocks

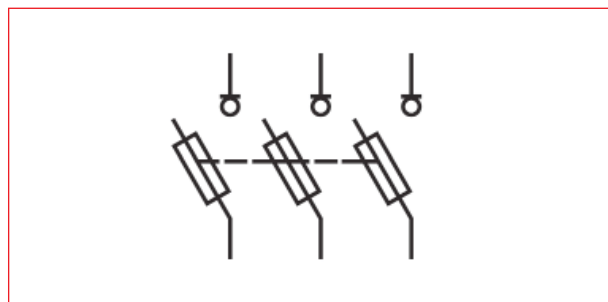
Size	NH00
Standards	IEC/EN 60947-3
Busbar distance	185mm
Poles	3
Switching mode	3pole switchable
Applicable for fuse-links	NH000 / NH00
Rated operating voltage	690V
Rated operating current	160A
Current measurement	No
Conv. free air thermal current with fuse-links	160A
Rated impulse voltage	8kV
Rated isolation voltage	800V
Rated frequency	50 - 60Hz
Total power loss at Ith (without fuse-link)	18W
Utilisation category	AC-22B (100A/690V)
	AC-22B (160A/400V)
	AC-22B (160A/500V)
Rated conditional short-circuit current	120kA [AC 500V]
	100kA [AC 690V]
Max. permissible power dissipation per fuse-link	12W
Ambient temperature	-25 up to +55°C
	>35°C derating of rated current required
Type of Actuation	Dependent manual operation
Mounting position	user-defined
Altitude	2000m
Pollution degree	3
Overvoltage category	III
Electrical endurance (switching cycles)	200
Mechanical endurance (switching cycles)	1400
Degree of protection	IP30
Cable terminal	Flat terminal M8
Cable lug (DIN 46 235)	1 x 10-95mm ² (max. 25mm width)
Tightening torque	12-15Nm


■ NH-Line (HRC) fuse load-breaker size 00 (160A), for 185mm busbar-system, series ARROW II

■ Dimensions



■ ISA05304 Wiring diagram



DESCRIPTION	AVAILABLE	ORDER NO.
HRC-in-line-fuse ARROW LINE size 00, 3pole, 185mm-system		ISA05304
HRC-fuse-base for 185mm busbar system		ISA05172



■ Fuse loadbreak-disconnectors size 1 (250A), for 185mm busbar-system, series ARROW II



ISA05305

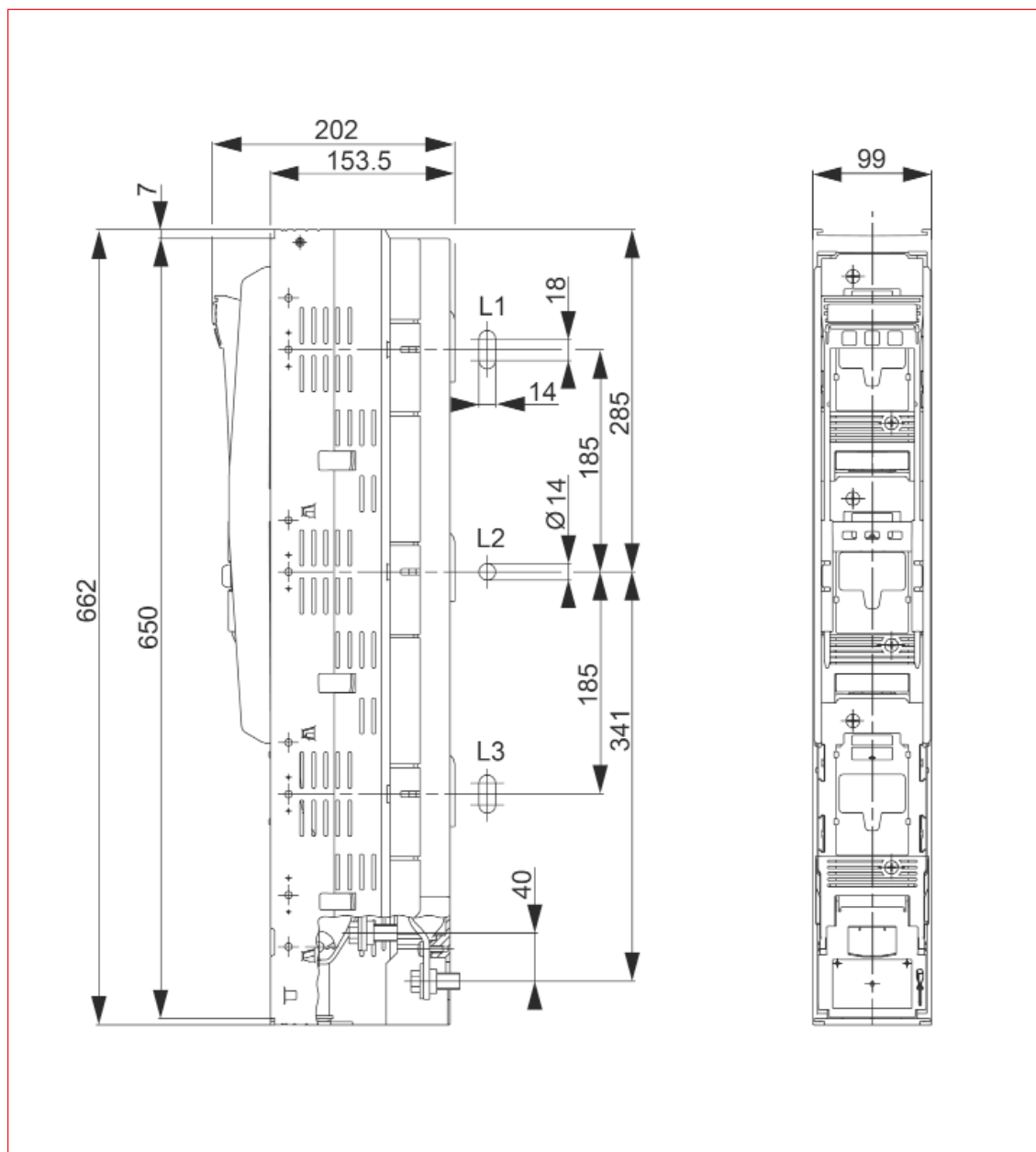
■ Schrack-Info

- NH-strip-type fuse-switch-disconnector for 185mm busbar-system
- With cable connection at bottom side, optional at top side
- Width 50mm
- All parts of LSL made from halogenfree, self-extinguishing material
- Base part as carrier of current carrying components made from glassfibre reinforced polyester
- Fuse holding contacts with sacrificial electrode and short-circuit interlock
- With access points for safety voltage measurement on the fuse-holding contact
- Protection degree IP30, from front side, device closed, with clamp- and side cover
- Type label visible in built-in condition
- Lockable in closed position and in stand-by position with up to 3 padlocks

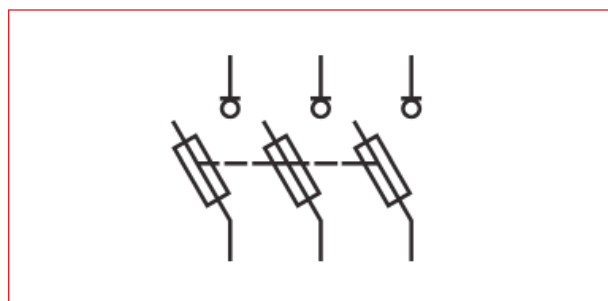
Size	NH1
Standard	IEC/EN 60947-3
Busbar distance	185mm
Poles	3
Switching mode	3pole switchable
Applicable for fuse-links	NH1
Rated operating voltage	690V
Rated operating current	250A
Current measurement	No
Conv. free air thermal current with fuse-links	250A
Conv. free air thermal current with solid links	400A
Rated impulse voltage	12kV
Rated isolation voltage	1000V
Rated frequency	40 - 60Hz
Contact system	DELTA-contact system with low power loss
Total power loss at Ith (without fuse-link)	23W
Utilisation category	AC-22B (250A/500V)
	AC-22B (250A/690V)
	AC-23B (250A/400V)
Rated conditional short-circuit current	120 (AC 500V)(kA)
Max. permissible power dissipation per fuse-link	32W
Ambient temperature	-25 up to +55°C
	>35°C derating of rated current required
Type of Actuation	Dependent manual operation
Mounting position	vertical / horizontal
Pollution degree	3
Overvoltage category	IV
Electrical endurance (switching cycles)	200
Mechanical endurance (switching cycles)	1400
Degree of protection	IP30
Cable terminal ISA05305	Flat terminal M10
	Cable lug (DIN 46 235) 1 x 25-150mm ²
	Tightening torque 30-35Nm
Cable terminal ISA05305	V-box terminal
	Clamping cross-section 25-240mm ²
	Conductor Cu/Al re/se, Cu am/rm
	Tightening torque 32Nm

■ Fuse loadbreak-disconnectors size 1 (250A), for 185mm busbar-system, series ARROW II

■ ISA05305 Dimensions



■ ISA05305 / ISA05306 Wiring diagram



DESCRIPTION	AVAILABLE	ORDER NO.
Size 1, 3-pole, 250A, M10		ISA05305
Size 1, 3-pole, 250A, with V-terminal		ISA05306

■ Fuse loadbreak-disconnectors size 2 (400A), for 185mm busbar-system, series ARROW II



ISA05311

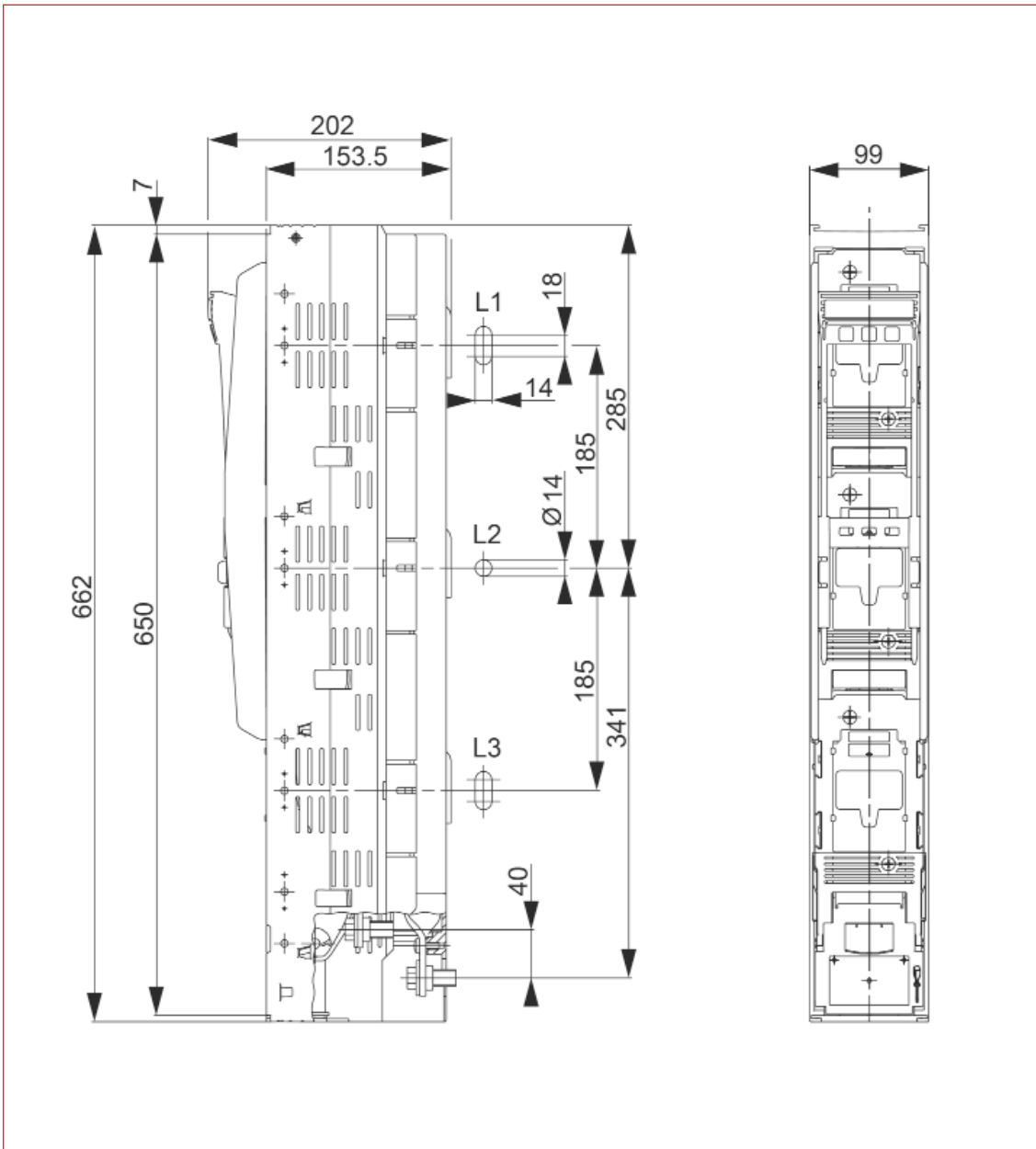
■ Schrack-Info

- NH-strip-type fuse-switch-disconnector for 185mm busbar-system
- With cable connection at bottom side, optional at top side
- Width 50mm
- All parts of LSL made from halogenfree, self-extinguishing material
- Base part as carrier of current carrying components made from glassfibre reinforced polyester
- Fuse holding contacts with sacrificial electrode and short-circuit interlock
- With access points for safety voltage measurement on the fuse-holding contact
- Protection degree IP30, from front side, device closed, with clamp- and side cover
- Type label visible in built-in condition
- Lockable in closed position and in stand-by position with up to 3 padlocks

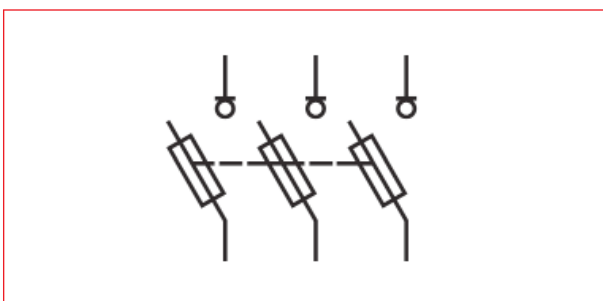
Size	NH2
Standard	IEC/EN 60947-3
Busbar distance	185mm
Poles	3
Switching mode	3pole switchable
Applicable for fuse-links	NH1 and NH2
Rated operating voltage	690V
Rated operating current	400A
Current measurement	No
Conv. free air thermal current with fuse-links	400A
Conv. free air thermal current with solid links	630A
Rated impulse voltage	12kV
Rated isolation voltage	1000V
Rated frequency	40 - 60Hz
Contact system	DELTA-contact system with low power loss
Total power loss at Ith (without fuse-link)	54W
Utilisation category	AC-21B (400A/690V)
	AC-22B (400A/500V)
	AC-23B (400A/400V)
Rated conditional short-circuit current	120kA (AC 500V)
Max. permissible power dissipation per fuse-link	45W
Ambient temperature	-25 up to +55°C
Ambient temperature	>35°C derating of rated current required
Mounting position	vertical / horizontal
Altitude	2000m
Pollution degree	3
Overvoltage category	IV
Electrical endurance (switching cycles)	200
Mechanical endurance (switching cycles)	800
Degree of protection	IP30
Cable terminal ISA05311	Flat terminal M12
	Cable lug (DIN 46 235) 1 x 25-240mm ²
	Tightening torque 30-35Nm
Cable terminal ISA05312	V-box terminal
	Clamping cross-section 25-240mm ²
	Conductor Cu/Al re/se, Cu am/rm
	Tightening torque 32Nm

■ Fuse loadbreak-disconnectors size 2 (400A), for 185mm busbar-system, series ARROW II

■ ISA05311 Dimensions



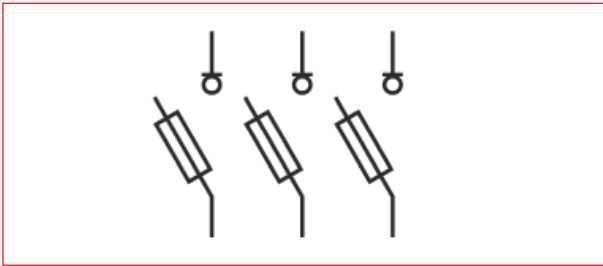
■ ISA05311 / ISA05312 Wiring diagram






NH-fuse-material series ARROW

■ Fuse loadbreak-disconnectors size 2 (400A), for 185mm busbar-system, series ARROW II

■ ISA05352 Wiring diagram



DESCRIPTION	AVAILABLE	ORDER NO.
Size 2, 3-pole, 400A, M12		ISA05311
Size 2, 3-pole, 400A, with V-terminal		ISA05312
ARROW LINE size 2, 3pole, 1 pol switchable, 185mm w. V-term.		ISA05352
HRC-in-line-fuse ARROW LINE size 2, 3pole, 185mm, M12		ISA05342
Size 2, 3-pole, 400A, M12, with window-bloc		ISA05311F

■ Fuse loadbreak-disconnectors size 3 (630A), for 185mm busbar-system, series ARROW II



ISA05320

■ Schrack-Info

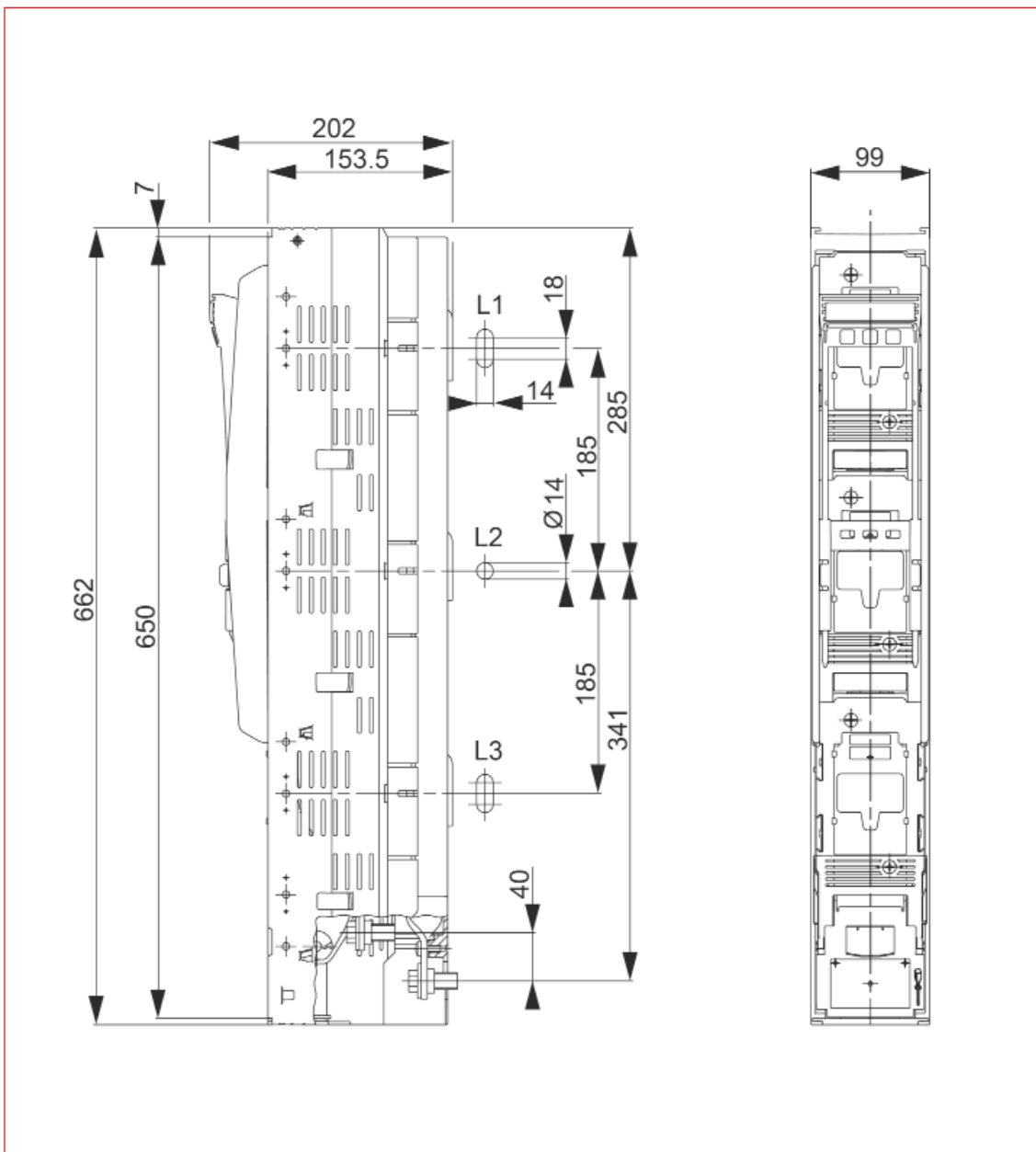
- NH-strip-type fuse-switch-disconnector for 185mm busbar-system
- With cable connection at bottom side, optional at top side
- Width 50mm
- All parts of LSL made from halogenfree, self-extinguishing material
- Base part as carrier of current carrying components made from glassfibre reinforced polyester
- Fuse holding contacts with sacrificial electrode and short-circuit interlock
- With access points for safety voltage measurement on the fuse-holding contact
- Protection degree IP30, from front side, device closed, with clamp- and side cover
- Type label visible in built-in condition
- Lockable in closed position and in stand-by position with up to 3 padlocks

Size	NH3
Standard	IEC/EN 60947-3
Busbar distance	185mm
Poles	3
Switching mode	3pole switchable
Applicable for fuse-links	NH1, NH2 and NH3
Rated operating voltage	690V
Rated operating current	630A
Current measurement	No
Conv. free air thermal current with fuse-links	630A
Conv. free air thermal current with solid links	800A
Rated impulse voltage	12kV
Rated isolation voltage	1000V
Rated frequency	40 - 60Hz
Contact system	DELTA-contact system with low power loss
Total power loss at Ith (without fuse-link)	115W
Utilisation category	AC-21B (630A/690V)
	AC-22B (630A/500V)
	AC-23B (630A/400V)
Rated conditional short-circuit current	120kA (AC 500V)
Rated short-time withstand current	10kA
Max. permissible power dissipation per fuse-link	48W
Ambient temperature	-25 up to +55°C
Ambient temperature	>35°C derating of rated current required
Type of Actuation	Dependent manual operation
Mounting position	vertical / horizontal
Pollution degree	3
Overvoltage category	IV
Electrical endurance (switching cycles)	200
Mechanical endurance (switching cycles)	800
Degree of protection	IP30
Cable terminal ISA05320	Flat terminal M12
	Cable lug (DIN 46 235) 1 x 25-300mm ² (max. 43mm width)
	Tightening torque 35-40Nm
Cable terminal ISA05321	V box terminal
	Clamping cross-section 25-240mm ²
	Conductor Cu/Al re/se, Cu am/rm
	Tightening torque 32Nm

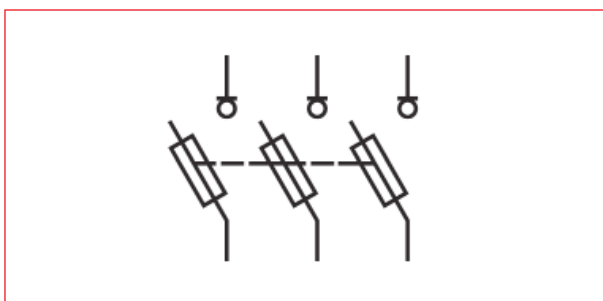
NH-fuse-material series ARROW

■ Fuse loadbreak-disconnectors size 3 (630A), for 185mm busbar-system, series ARROW II

■ ISA05320 Dimensions

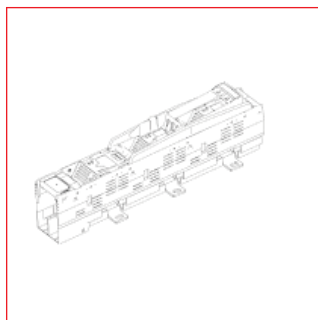


■ ISA05320 / ISA05321 Wiring diagram



DESCRIPTION	AVAILABLE	ORDER NO.
Size3, 3-pole, 630A, M12		ISA05320
Size3, 3-pole, 630A, with V-terminal		ISA05321
HRC-in-line-fuse ARROW LINE size 3, 3pole, 185mm, M12		ISA05343

■ NH-Line (HRC) fuse load-breaker size 3 (630A), for 185mm busbar-system, series ARROW II



ISA05331

■ Schrack-Info

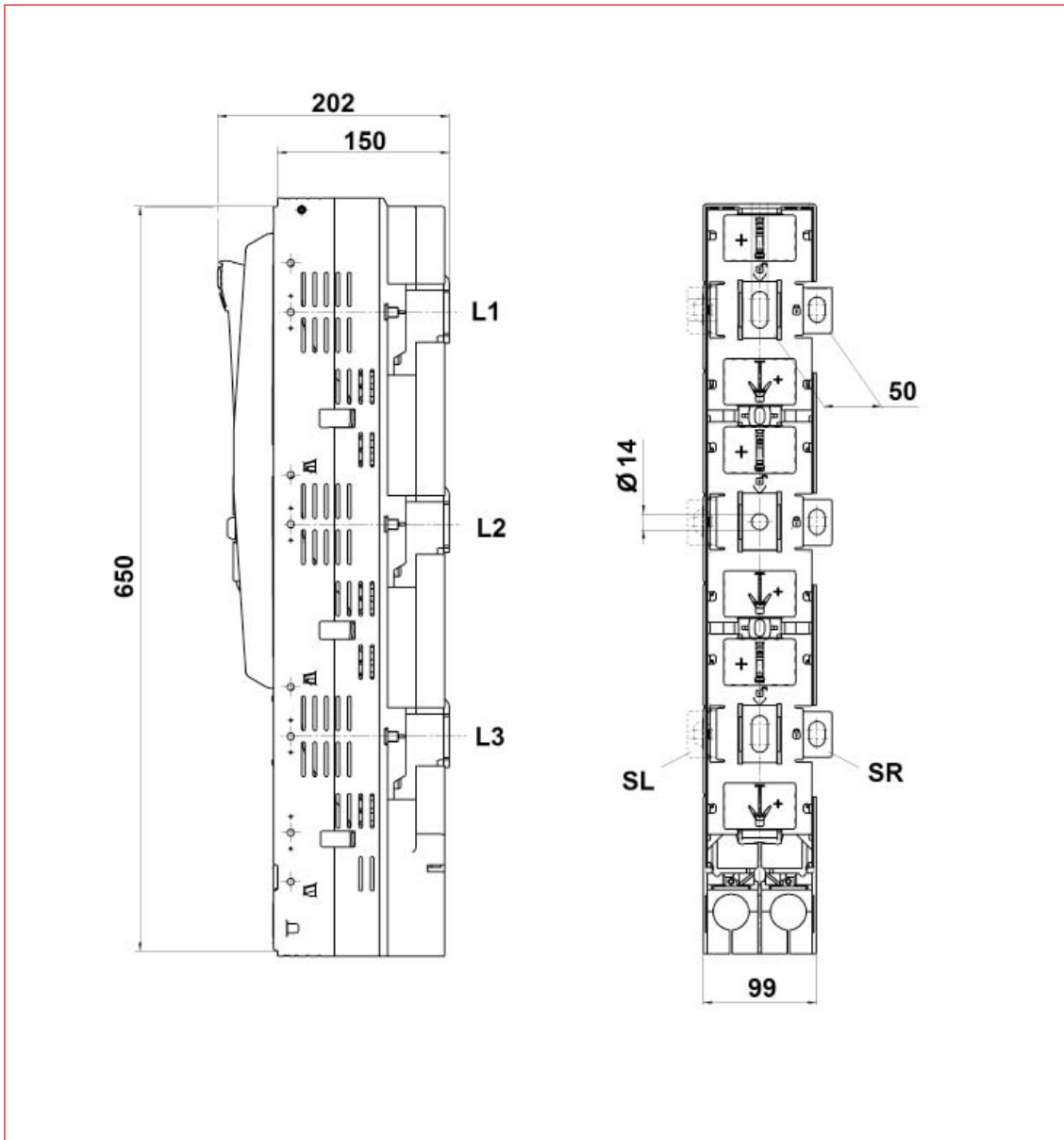
- Busbar coupler, Terminal at right or left side with screw M12
- With cable connection at bottom side, optional at top side
- Width 100mm, for permanent mounting technology
- All parts of LSL made from halogenfree, self-extinguishing material
- Base part as carrier of current carrying components made from glassfibre reinforced polyester
- Fuse holding contacts with sacrificial electrode and short-circuit interlock
- With access points for safety voltage measurement on the fuse-holding contact

Size	NH3
Product Lifecycle	Active product
Standard	IEC/EN60947-3
Special features	Busbar coupler
	ISA05330: Terminal at left side with screw M12
	ISA05331: Terminal at right side with screw M12
Rated operating current	630A
Size	NH3
Busbar distance	185mm
Rated operating voltage	690V
Conv. free air thermal current with fuse-links	630A
Rated conditional short-circuit current	120 (AC 500V)kA
Conv. free air thermal current with solid links	800A
Rated impulse voltage	12kV
Rated isolation voltage	1000V
Rated frequency	40 - 60Hz
Contact system	DELTA-contact system with low power loss
Utilisation category	AC-21B (630A/690V)
	AC-22B (630A/500V)
	AC-23B (630A/400V)
Max. permissible power dissipation per fuse-link	48W
Ambient temperature	-25 up to +55 (>35 derating of rated current required) °C
Type of Actuation	Dependent manual operation
Mounting position	vertical / horizontal
Pollution degree	3
Overvoltage category	IV
Electrical endurance (switching cycles)	200
Mechanical endurance (switching cycles)	800
Rated short-time withstand current	15kA
Applicable for fuse-links	
Cable terminal	busbar terminal M12 - busbar coupler
Degree of protection	IP30

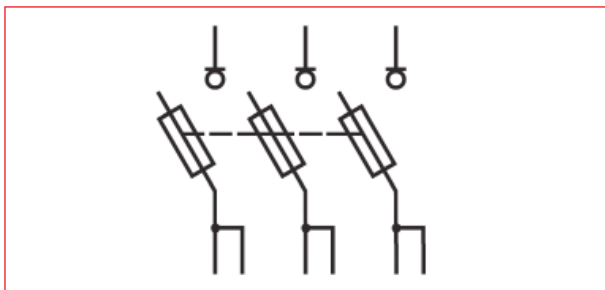
NH-fuse-material series ARROW

■ NH-Line (HRC) fuse load-breaker size 3 (630A), for 185mm busbar-system, series ARROW II

■ ISA05330 / ISA05331 Dimensions



■ ISA05330 / ISA05331



DESCRIPTION	AVAILABLE	ORDER NO.
Input-HRC-in-line-fuse ARROW LINE size3, 3pole, 185mm, left		ISA05330
Input-HRC-in-line-fuse ARROW LINE size3, 3pole, 185mm, right		ISA05331

■ Fuse bases, for 60 mm busbar-system



ISA05334







ISA05730



ISA05329

■ Schrack-Info

- Accessories for NH (HRC)-strip-type fuse-switch-disconnector, series ARROW II
- Fuse links and knife links are in the chapter accessories for NH (HRC) - material

DESCRIPTION	AVAILABLE	ORDER NO.
Terminals for drillingfree mounting Set with 3pcs.		ISA05333
Current transformer 150A for ARROW LINE with CT-mounting		ISA05345
Current transformer 400A for ARROW LINE with CT-mounting		ISA05347
Current transformer 600A for ARROW LINE with CT-mounting		ISA05348
V-double-clamp retrofit kit, size 1-3, 2 x 185 - 240mm ²		ISA05730
Adapterplate for L1 on ARROW LINE		ISA05729
Adjusting cover for ARROW II size 00 (1 pck = 2 pcs)		ISA05329
Cover one way		ISA05731
Cover cap for top or bottom terminal ARROW II 1-3		ISA05334

